



MADE IN THE
★USA★
WITH PRIDE



MAX 6 • HELIX

MAX 6 HELIX SEAT REAR INSTALLATION

TABLE OF CONTENTS:

- Step 1** - Prepare Car for Installation
- Step 2** - Seat Back Support Installation
- Step 3** - Armrest Installation
- Step 4** - Seat Base Supports and Footrest Support Installation
- Step 5** - Footrest Installation
- Step 6** - Cushion Plate Supports and Arm Rest Tubes
- Step 7** - Seat Kit Brackets and Bumper Angle Installation
- Step 8** - Rear Seat Mounting
- Step 9** - Cushion Installation
- Optional Accessories** - Storage Bin & Cup Holders

IMPORTANT: Do not fully tighten hardware until instructed.
Read through all instructions before beginning installation.

AVAILABLE FOR:

CLUB CAR® DS® & PRECEDENT®
E-Z-GO® TXT® & RXV® / YAMAHA® DRIVE®

OPTIONAL HELIX ACCESSORIES

Sold Separately



STORAGE BIN



CUP HOLDERS



GOLF BAG HOLDERS



CHAIR HOLDER



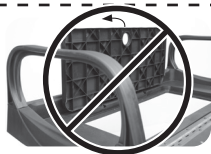
DROP-IN CARGO BED



SOFT CARGO CARRIER



HEAVY-DUTY LEAF SPRINGS
(Recommended)



CAUTION! SEAT BASE LID

Do not open the seat base lid past 90° before the seat base & seat back cushion have been installed on the car

To prevent potential damage to the seat base lid hinges, install the optional Storage Bin ONLY AFTER the rear seat and seat back cushion have been installed on the car.

SCALE HARDWARE GUIDE

Supplied hardware has been illustrated at a 1:1 scale for the ability to verify required lengths quickly and easily. Simply place the hardware on top of the illustration to ensure you are using the correct item and measurement.

STEP

1

PREPARE CAR FOR INSTALLATION

Remove the following items to prepare the car for Rear Seat Kit Installation:

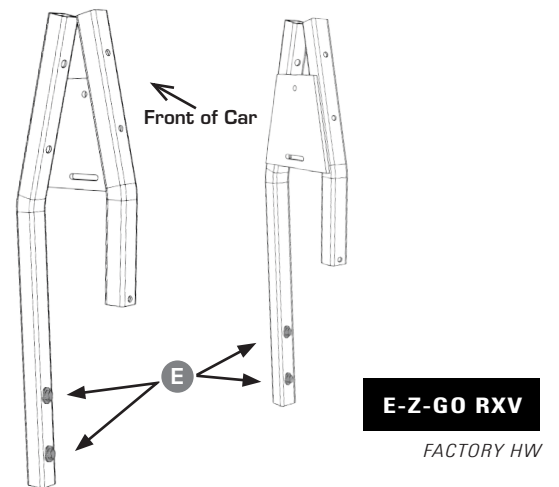
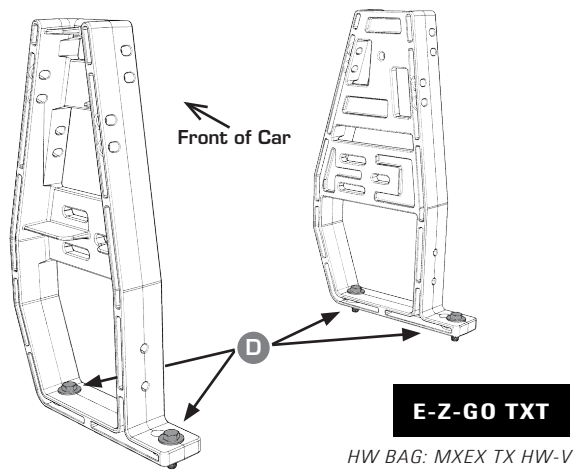
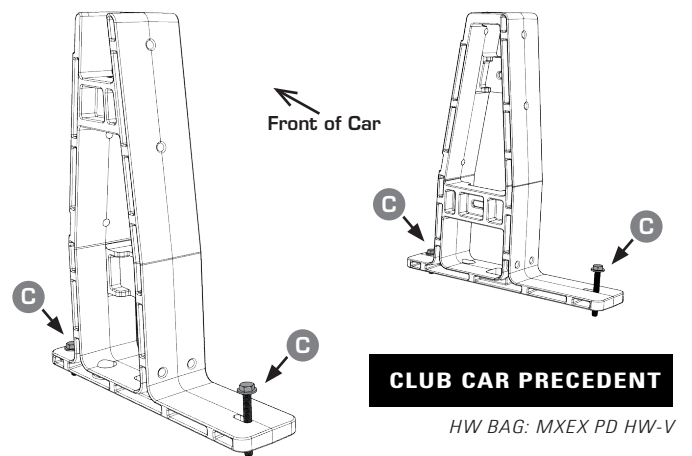
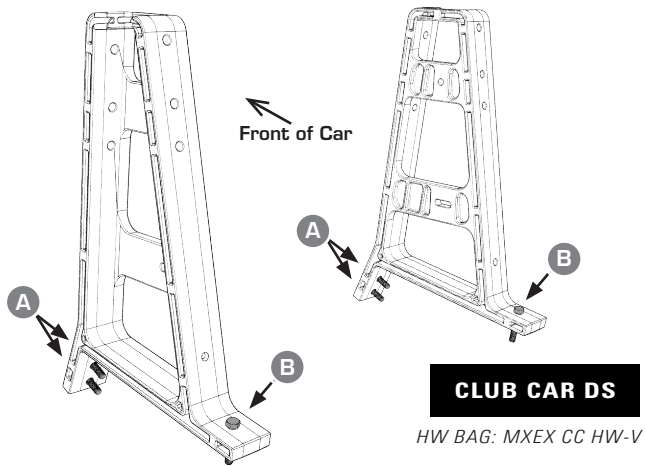
- Top
- Top Supports/Drain Tubes
- Bench Back Cushion
- Bag Rack Assembly

NOTE: Save and separate factory hardware for later use.

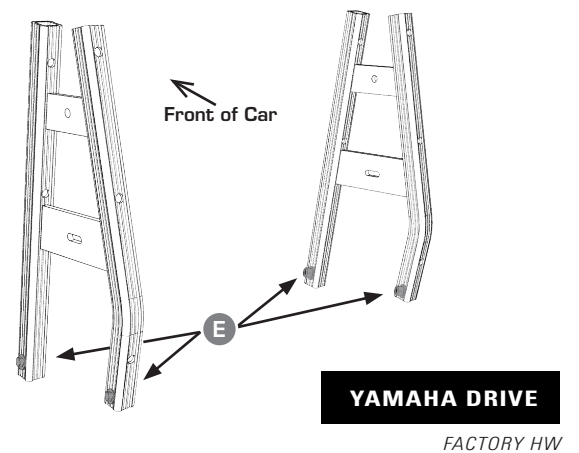
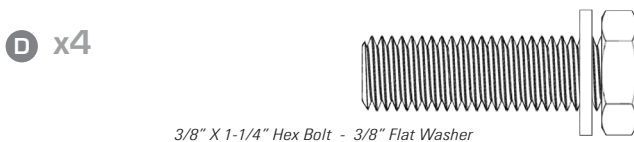
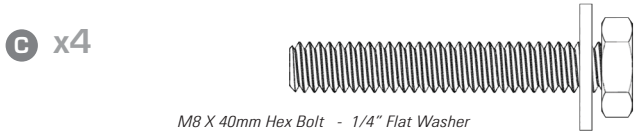
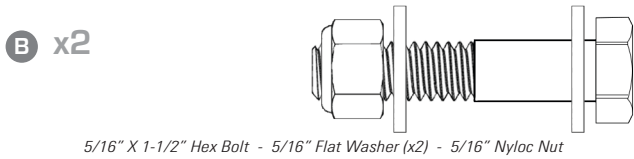
STEP 2 SEAT BACK SUPPORTS INSTALLATION

Position & Install Seat Back Supports.

NOTE: Fully tighten Bolts.



HARDWARE - SCALE 1:1

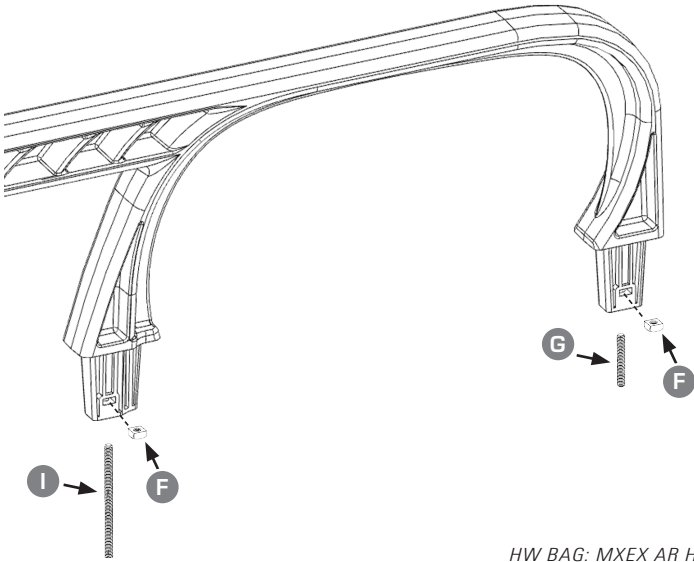


E x4

Reuse Factory Hardware from Bag Rack removal

STEP 3.1 ARMREST PREPARATION

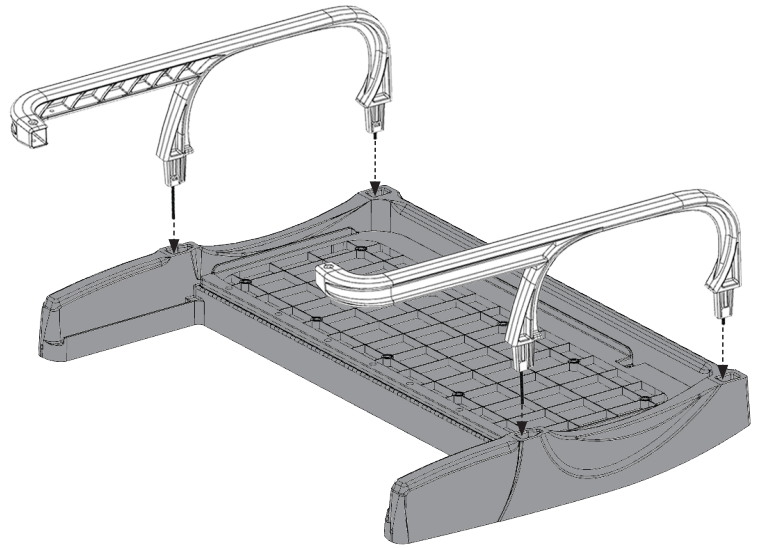
Insert short end of threaded stud (G) and (I) into square end of Armrest.



HW BAG: MXEX AR HW-V

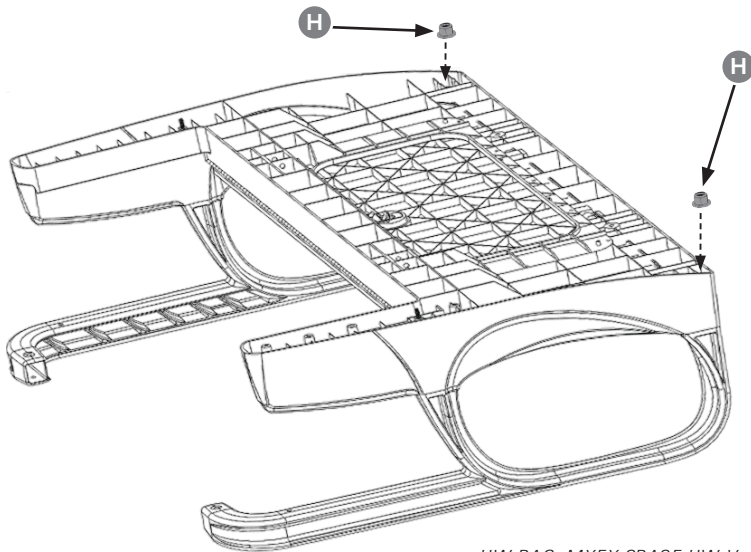
STEP 3.2

Insert the preped Armrests into the base.



STEP 3.3

NOTE: Place Seat on blanket or cardboard. Fully tighten all hardware.



HW BAG: MXEX SBASE HW-V

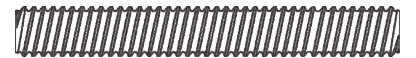
HARDWARE - SCALE 1:1

F x4



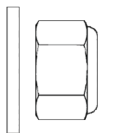
Square Nut

G x2



1/4" X 1-3/4" Threaded Stud

H x2



1/4" Flat Washer - 1/4" Nyloc Nut

I x2

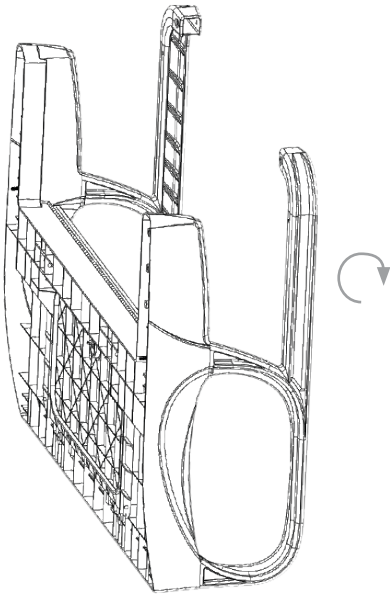


1/4" X 4" Threaded Stud

STEP 4.1 INSERT RIVETS

Stand the assembly up on its end as shown.

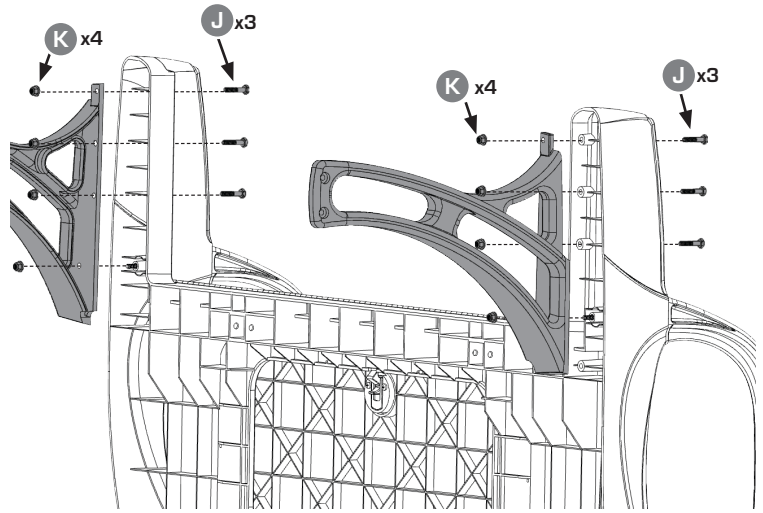
NOTE: Place Seat on Cardboard or Blanket to prevent from scratching.



STEP 4.2 INSTALL SEAT BASE SUPPORTS

NOTE: DO NOT fully tighten Hardware.

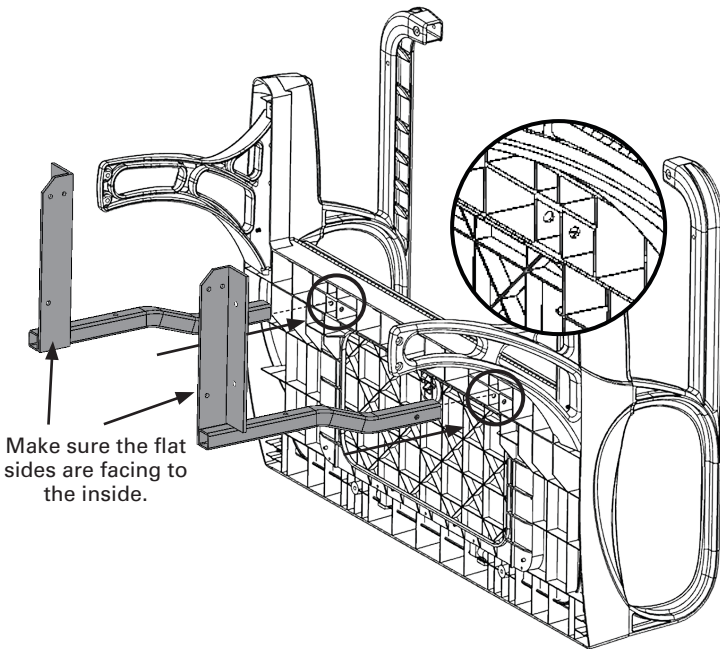
x2



HW BAG: MXEX SBASE HW-V

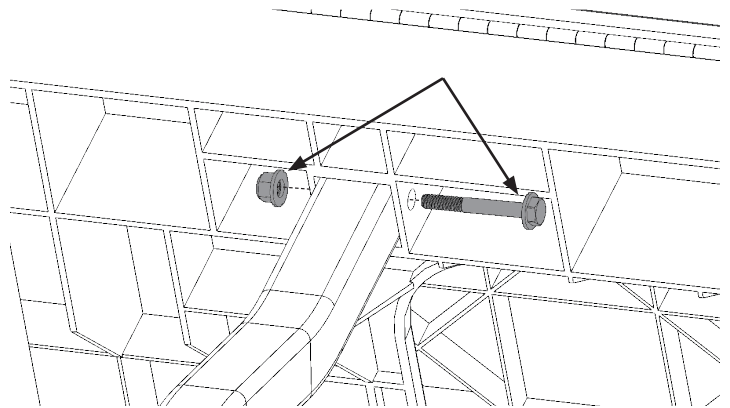
STEP 4.3 INSERT EACH FOOTREST SUPPORT

NOTE: Insert each footrest support into square sockets on the bottom.



STEP 4.4 ATTACH FOOTREST SUPPORT

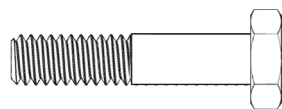
NOTE: DO NOT fully tighten Hardware until Step 5:4.



HW BAG: MXEX SBASE HW-V

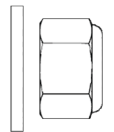
HARDWARE - SCALE 1:1

J x6



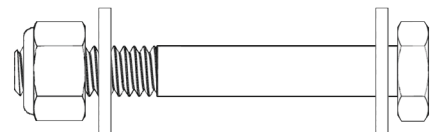
1/4" X 1-1/4" Hex Bolt

K x8



1/4" Flat Washer - 1/4" Nyloc Nut

L x2



1/4" X 2" Hex Bolt - 1/4" Flat Washer (x2) - 1/4" Nyloc Nut

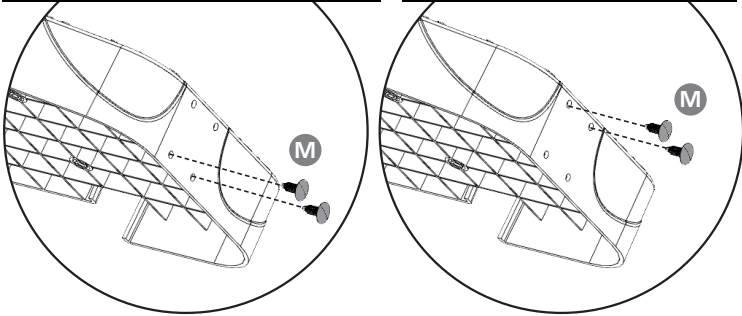
STEP 5.1 INSERT PUSH RIVETS

Insert the push rivets for the your specific make and model Golf Car below.

x2

CLUB CAR PRECEDENT ONLY

ALL OTHER CAR MODELS



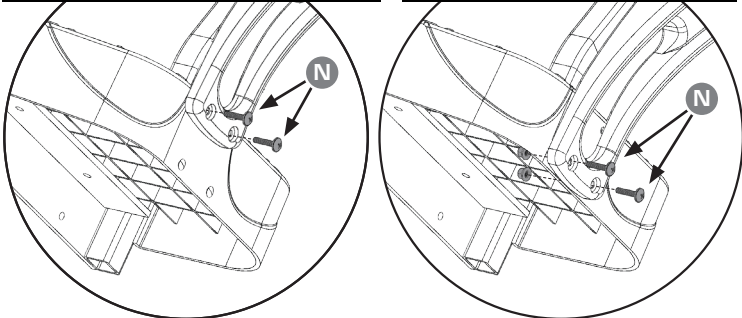
STEP 5.3 ATTACH SBS TO FOOTREST

NOTE: DO NOT fully tighten Hardware.

x2

CLUB CAR PRECEDENT ONLY

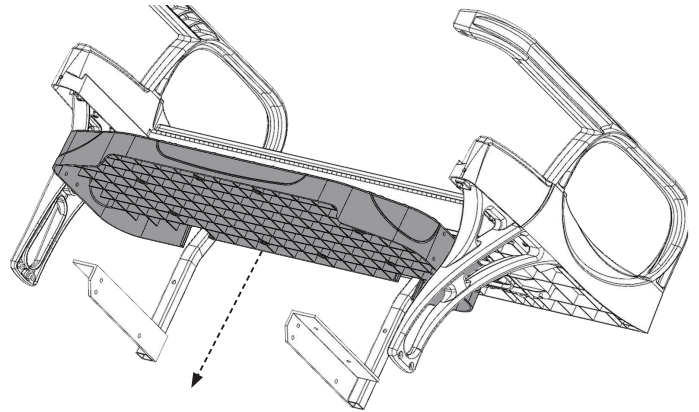
ALL OTHER CAR MODELS



HW BAG: MEXE FR HW-V

STEP 5.2 POSITION FOOTREST

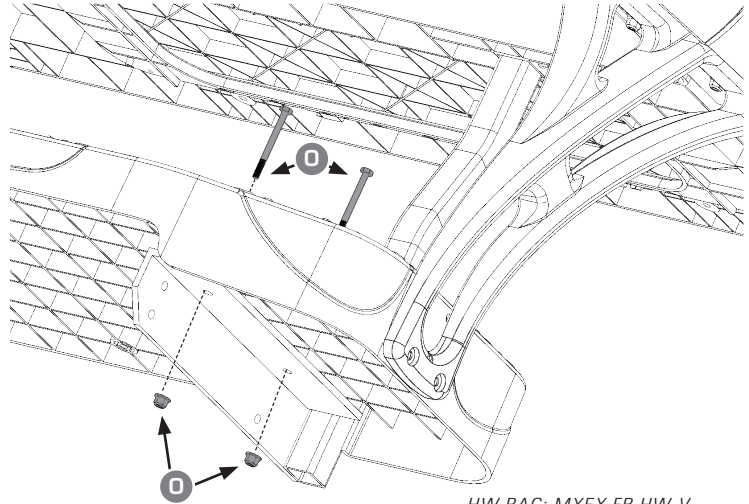
Tilt assembly as shown and slide foot rest down between the seat base supports until it makes contact with the legs.



STEP 5.4 ATTACH TO FOOTREST SUPPORT

NOTE: Fully tighten ALL Hardware in the assembly.

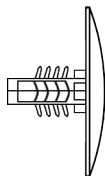
x2



HW BAG: MEXE FR HW-V

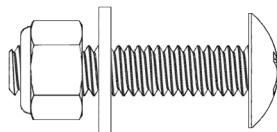
HARDWARE - SCALE 1:1

M x4



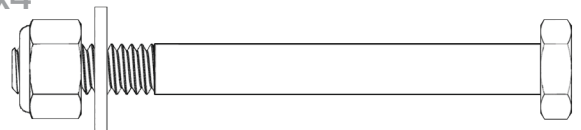
Large Push Rivet

N x4



1/4" X 1-1/4" Truss Phillips Screw - 1/4" Flat Washer - 1/4" Nyloc Nut

O x4

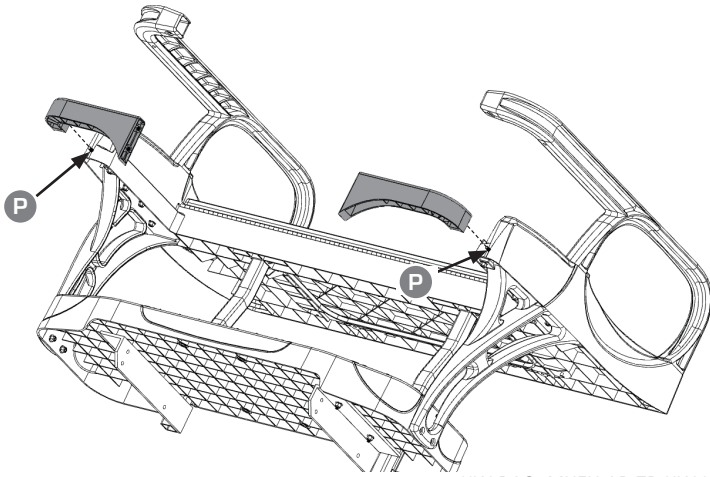


1/4" X 2-3/4" Hex Bolt - 1/4" Flat Washer - 1/4" Nyloc Nut

STEP 6.1 ATTACH CUSHION PLATE SUPPORTS

NOTE: DO NOT fully tighten Hardware.

x2

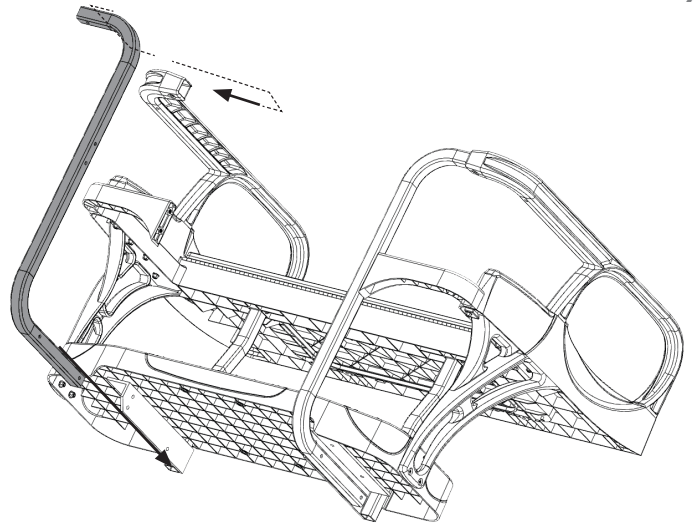


HW BAG: MXEX AR TB HW-V

STEP 6.2 POSITION EACH ARMREST TUBE

Slide Armrest Tube into Armrest and align to holes on Footrest Supports.

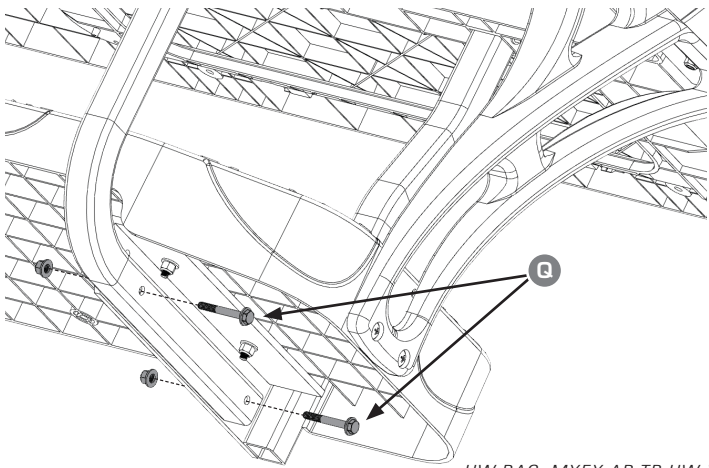
x2



STEP 6.3 ATTACH ARMRESTS TO FOOTREST

NOTE: DO NOT fully tighten Hardware.

x2

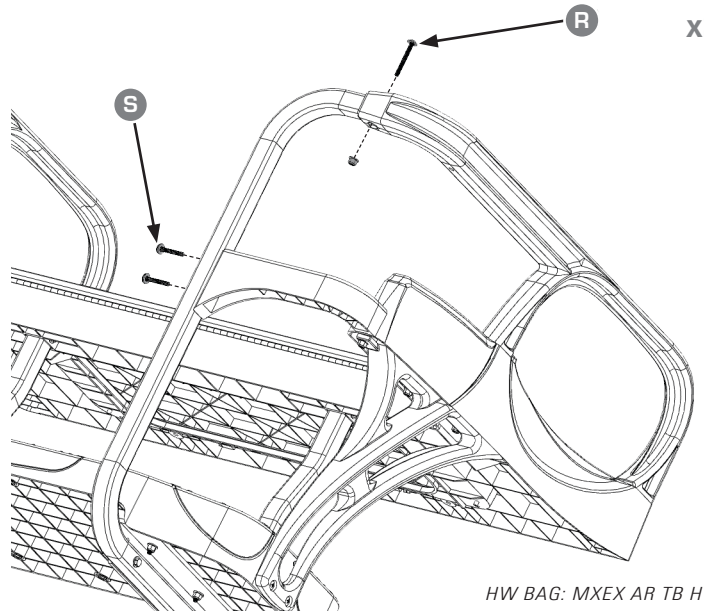


HW BAG: MXEX AR TB HW-V

STEP 6.4 SECURE ARMREST TUBES

NOTE: Fully tighten ALL Hardware in the assembly.

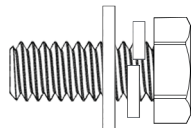
x2



HW BAG: MXEX AR TB HW-V

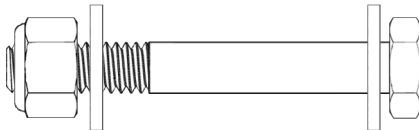
HARDWARE - SCALE 1:1

P x2



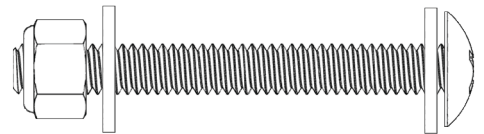
1/4" X 3/4" Hex Bolt - 1/4" Lock Washer - 1/4" Flat Washer

Q x4



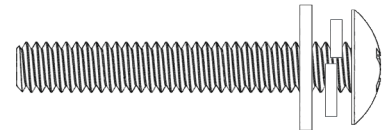
1/4" X 2" Hex Bolt - 1/4" Flat Washer (x2) - 1/4" Nyloc Nut

R x2



1/4" X 2-1/4" Truss Phillips Screw - 1/4" Flat Washer (x2) - 1/4" Nyloc Nut

S x4



1/4" X 1-3/4" Truss Phillips Screw - 1/4" Lock Washer - 1/4" Flat Washer

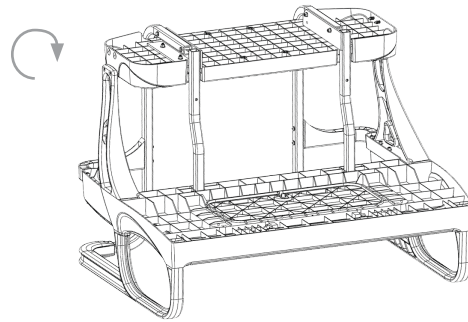
STEP

7.1

SEAT KIT BRACKETS & BUMPER ANGLE INSTALLATION

Position Seat Base. Flip the assembly back onto the armrests.

NOTE: Place Seat on Cardboard or Blanket to prevent scratching.

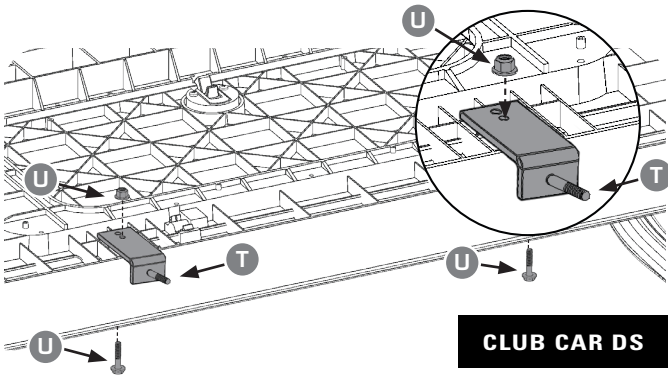


STEP

7.2

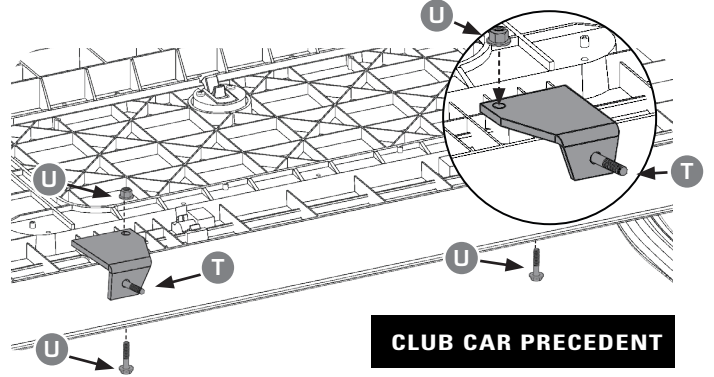
INSTALL SEAT KIT BRACKETS

NOTE: Fully tighten Hardware.



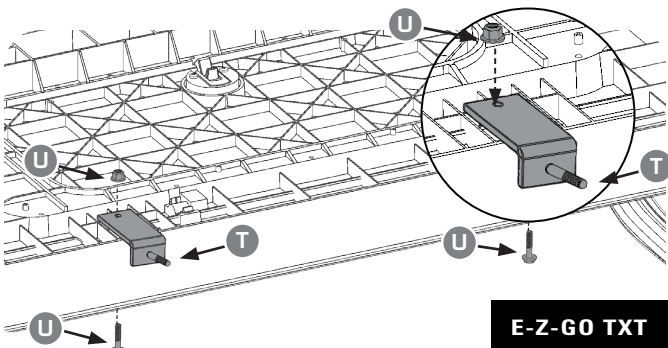
CLUB CAR DS

HW BAG: [T] MXEX CC HW-V / HW BAG: [U] MXEX CC HW-V



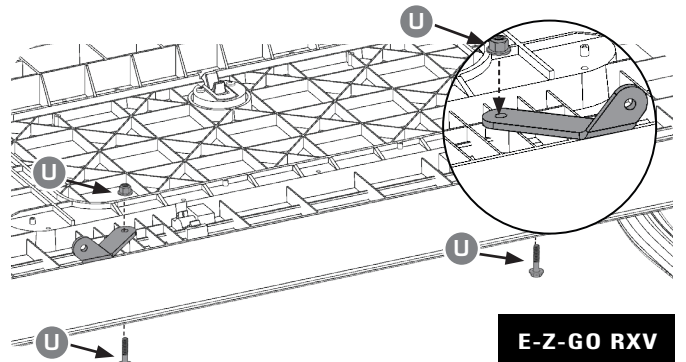
CLUB CAR PRECEDENT

HW BAG: [T] MXEX PD HW-V / HW BAG: [U] MXEX SBASE HW-V



E-Z-GO TXT

HW BAG: [T] MXEX TX HW-V / HW BAG: [U] MXEX TX HW-V

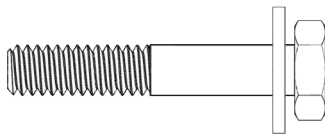


E-Z-GO RXV

HW BAG: MXEX SBASE HW-V

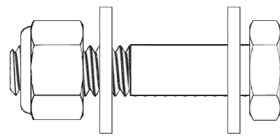
HARDWARE - SCALE 1:1

T x2

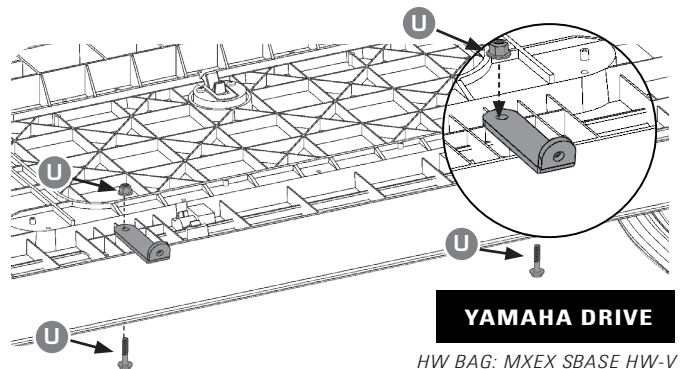


1/4" X 1-1/2" Hex Bolt - 1/4" Flat Washer

U x2



1/4" X 1-1/4" Hex Bolt - 1/4" Flat Washer (x2) - 1/4" Nyloc Nut



YAMAHA DRIVE

HW BAG: MXEX SBASE HW-V

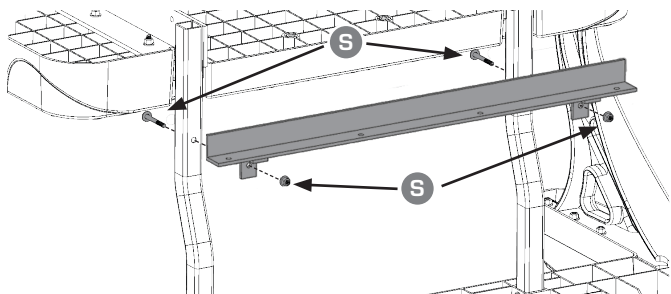
NOTE: Flip bracket over for Drive 17.

STEP

7.3

ATTACH BUMPER ANGLE TO FOOTREST SUPPORTS

NOTE: Fully tighten Hardware.

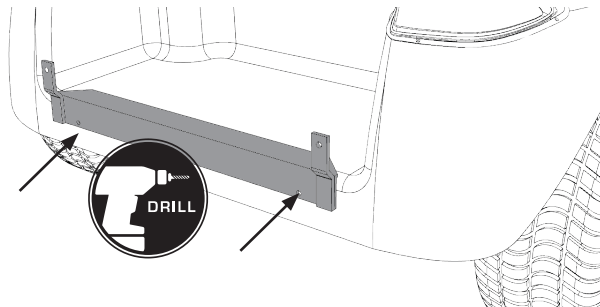


CLUB CAR DS

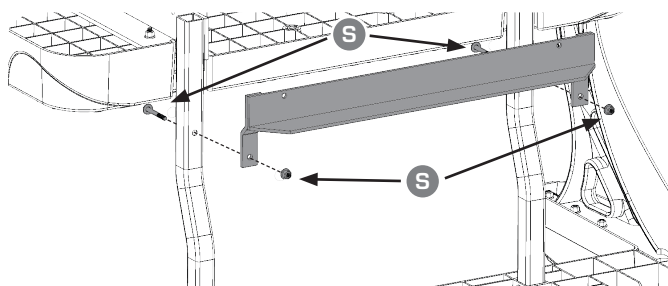
HW BAG: MXEX FR HW-V

NOTE: FOR CLUB CAR PRECEDENT ONLY.

Center Bumper Angle to rear bumper. With a 1/4" drill bit, use the bumper angle holes and drill holes completely through the car bumper.

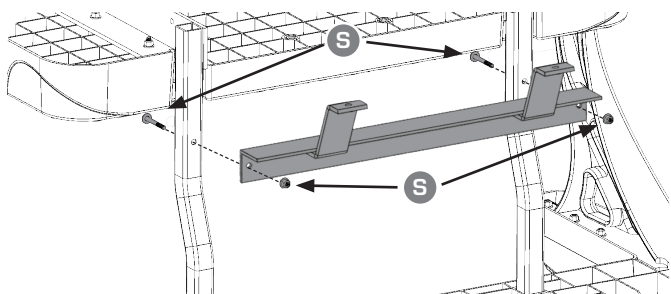


Remove Bumper Angle from car and attach to footrest supports.



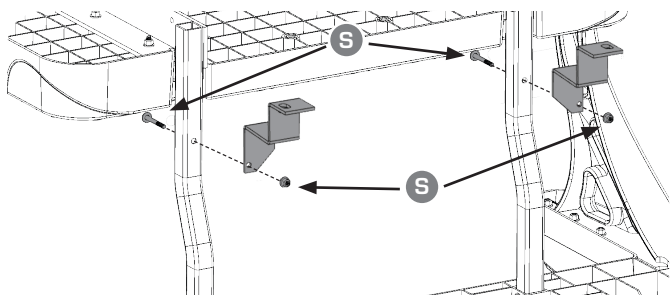
CLUB CAR PRECEDENT

HW BAG: MXEX FR HW-V



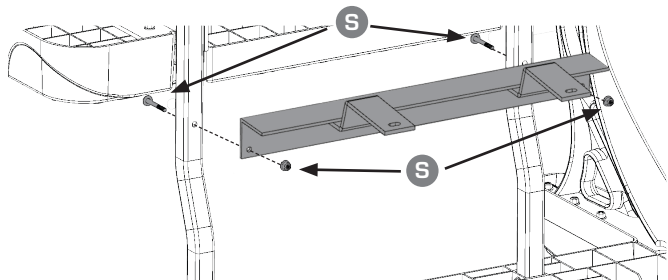
E-Z-GO TXT

HW BAG: MXEX FR HW-V



E-Z-GO RXV

HW BAG: MXEX FR HW-V

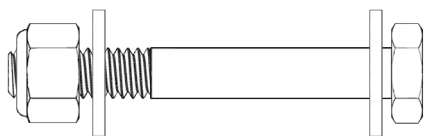


YAMAHA DRIVE

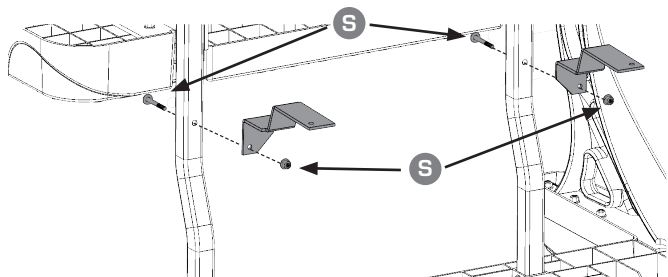
HW BAG: MXEX FR HW-V

HARDWARE - SCALE 1:1

S x2



1/4" X 2" Hex Bolt - 1/4" Flat Washer (x2) - 1/4" Nyloc Nut



YAMAHA DRIVE 2 (2017+)

HW BAG: MXEX FR HW-V

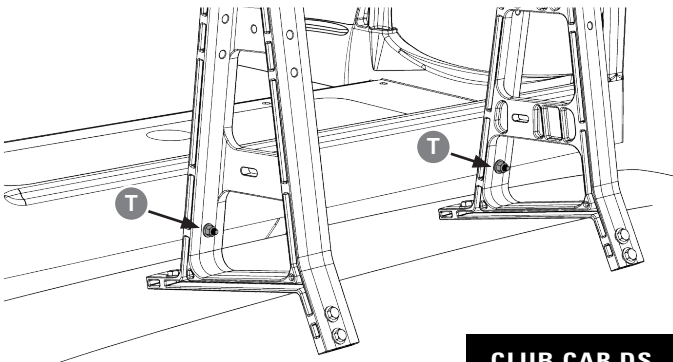
STEP

8.1

REAR SEAT MOUNTING

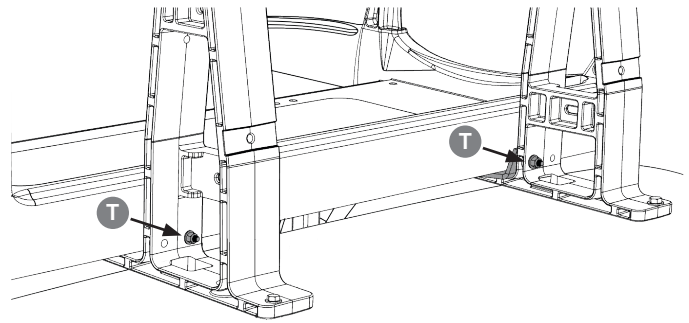
Attach Rear Seat Kit to Seat Back Supports. Sit Rear Kit onto car bumper & attach seat bottom brackets to the Seat Back Supports.

NOTE: This step requires two people. DO NOT fully tighten until Bumper Angle is attached in next step.



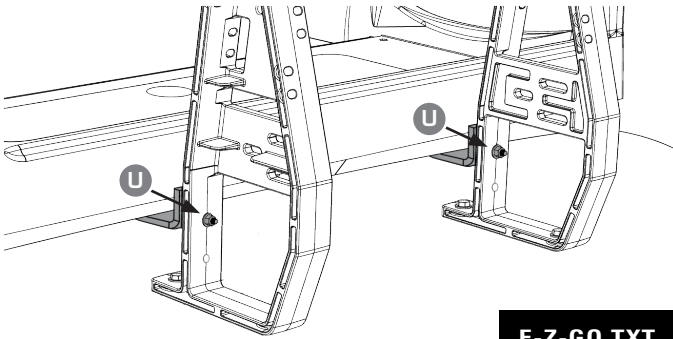
CLUB CAR DS

HW BAG: MXEX CC HW-V



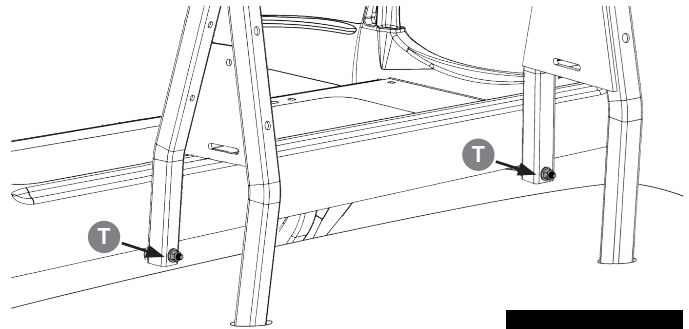
CLUB CAR PRECEDENT

HW BAG: MXEX PD HW-V



E-Z-GO TXT

HW BAG: MXEX TX HW-V



E-Z-GO RXV

HW BAG: MXEX RX HW-V

HARDWARE - SCALE 1:1

T x2

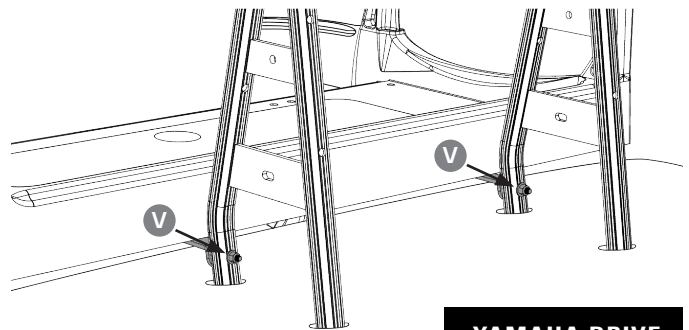
1/4" Flat Washer - 1/4" Nyloc Nut

U x2

1/4" X 1-1/2" Hex Bolt - 1/4" Flat Washer (x2) - 1/4" Nyloc Nut

V x2

1/4" X 1-3/4" Hex Bolt - 1/4" Flat Washer (x2) - 1/4" Nyloc Nut

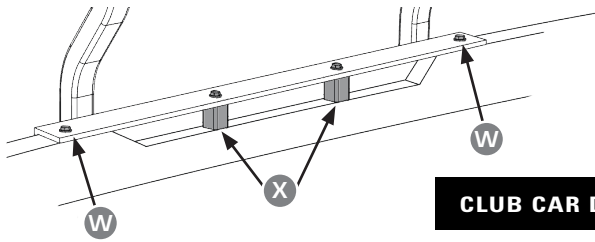


YAMAHA DRIVE

HW BAG: MXEX DV HW-V

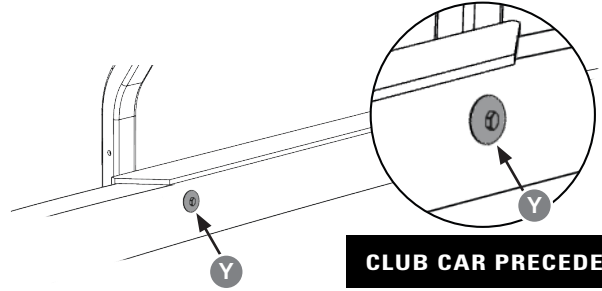
STEP 8.2 MOUNT BUMPER ANGLE TO CAR

NOTE: Fully tighten Rear Seat Kit Brackets and Bumper Angle Hardware.



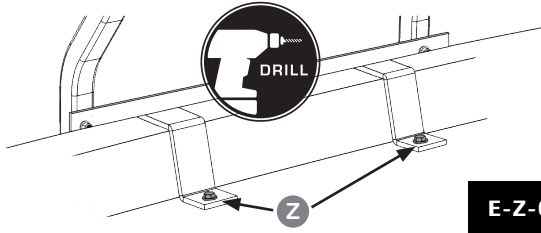
CLUB CAR DS

HW BAG: MXEX CC HW-V



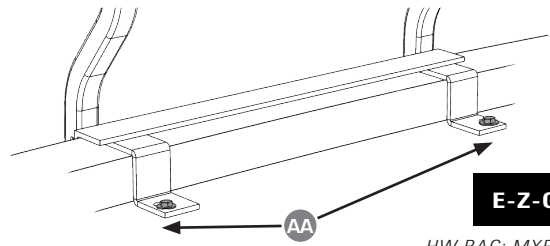
CLUB CAR PRECEDENT

HW BAG: MXEX PD HW-V



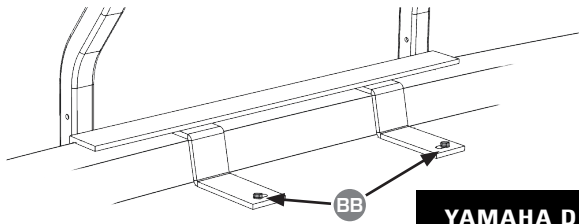
E-Z-GO TXT

HW BAG: MXEX TX HW-V



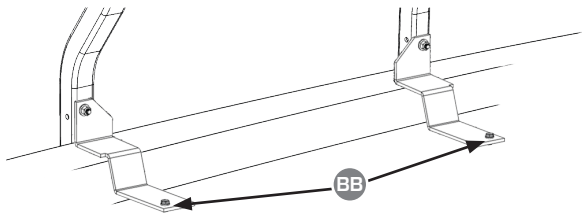
E-Z-GO RXV

HW BAG: MXEX RX HW-V



YAMAHA DRIVE

HW BAG: MXEX DV HW-V

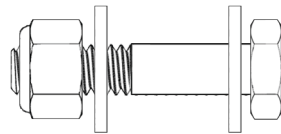


YAMAHA DRIVE 2 (2017+)

HW BAG: MXEX DV HW-V

HARDWARE - SCALE 1:1

W x2



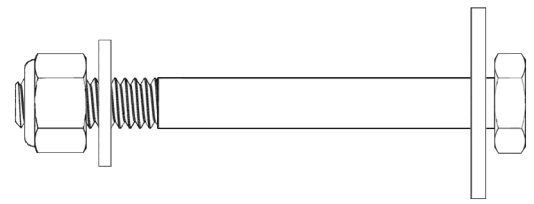
1/4" X 1-1/4" Hex Bolt - 1/4" Flat Washer (x2) - 1/4" Nyloc Nut

X x2



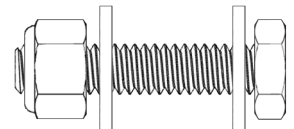
1/4" X 2-1/2" Hex Bolt - 1/4" Flat Washer (x2) - Spacer Square - 1/4" Nyloc Nut

Y x2



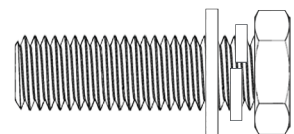
1/4" X 2-1/2" Hex Bolt - 1/4" Fender Washer - 1/4" Flat Washer - 1/4" Nyloc Nut

Z x2



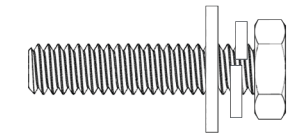
5/16" X 1-1/4" Hex Bolt - 5/16" Flat Washer (x2) - 5/16" Nyloc Nut

AA x2



3/8" X 1-1/4" Hex Bolt - 1/4" Lock Washer - 3/8" Flat Washer

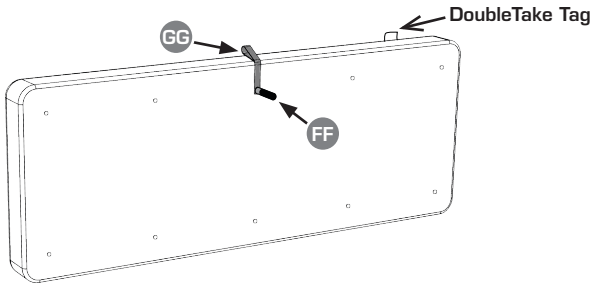
BB x2



M6 x 30mm Hex Bolt - 1/4" Lock Washer - 1/4" Flat Washer

STEP 9.1 CUSHION INSTALLATION

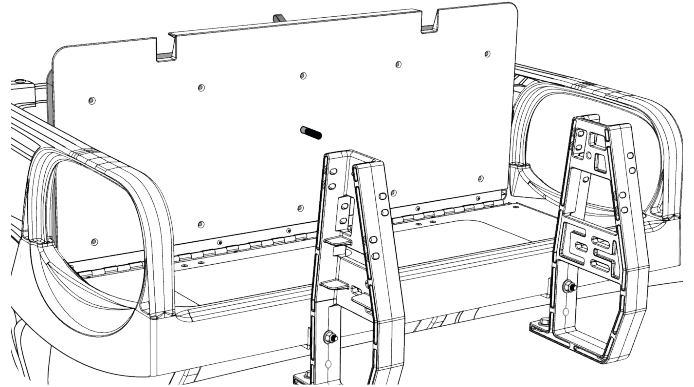
Insert Temporary Stud (CC) into the 2/1 Seat Bottom Cushion then slip the 2/1 Strap (DD) over the Temporary Stud as shown below.



BOTTOM CUSHION
HW BAG: MX5 CUSH MTG HW

STEP 9.2 INSTALL SEAT BOTTOM CUSHION

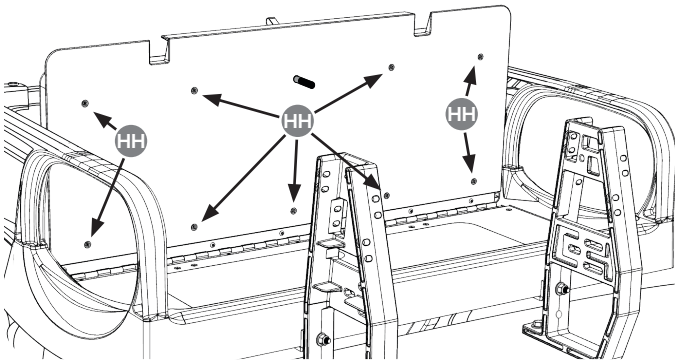
Angle Seat Bottom Plastic upright to 90° and insert 2/1 Seat Bottom Cushion in the top center hole using the Temporary Stud.



STEP 9.3 INSTALL SEAT BOTTOM CUSHION

Loosely screw in all four corner holes first, then screw in the remaining vacant holes.

NOTE: DO NOT fully tighten.

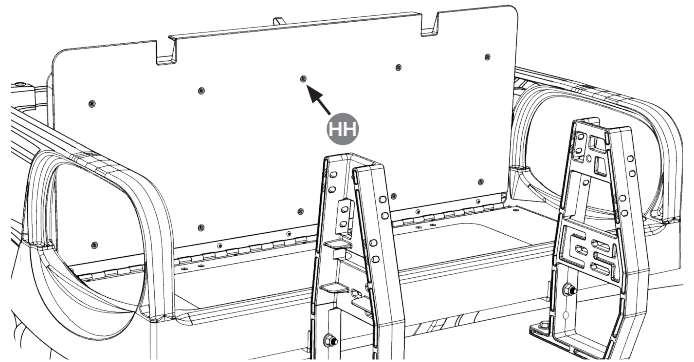


HW BAG: MX5 CUSH MTG HW

STEP 9.4 INSTALL SEAT BOTTOM CUSHION

Remove the Temporary Stud and install remaining screw.

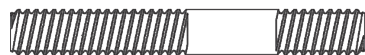
NOTE: Fully tighten Hardware.



HW BAG: MX5 CUSH MTG HW

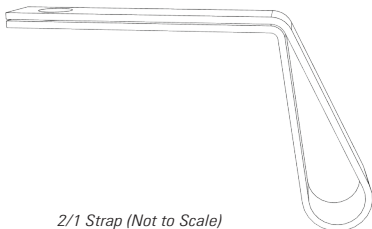
HARDWARE - SCALE 1:1

FF x1



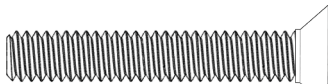
Temporary Stud

GG x1



2/1 Strap (Not to Scale)

HH x10



1/4" X 1-1/2" Flat Head Phillips Screw

STEP 9.5 SEAT BACK CUSHION INSTALLATION

Installation instructions are provided in the Seat Plate Kit Hardware Box, located in the 2/1 Cushion Box.

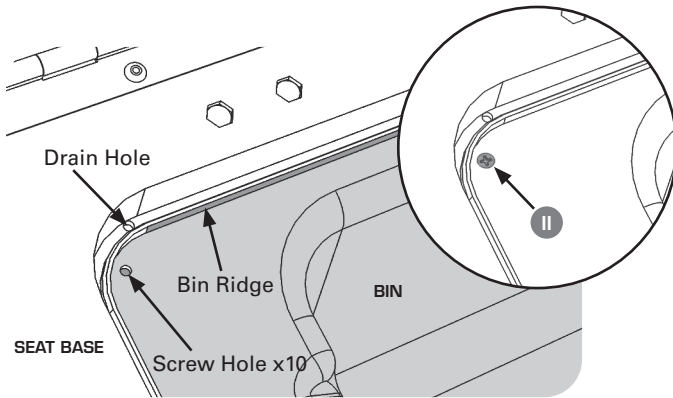




STORAGE BIN

STEP 1 INSTALL STORAGE BIN

Make sure the Bin rests inside the Bin Ridge in the Seat Base. Install the self-tapping Screws thru all holes in Bin into the Seat Base.

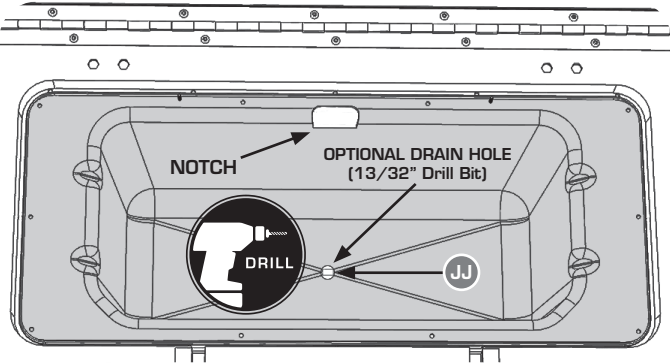


STEP 2 DRILL OPTIONAL DRAIN HOLE

Insert the Bin into the opening, making sure the Notch is facing the Seat Hinge.

OPTIONAL: Using a 13/32" drill bit, add a Drain Hole in the bottom of the Storage Bin before installation.

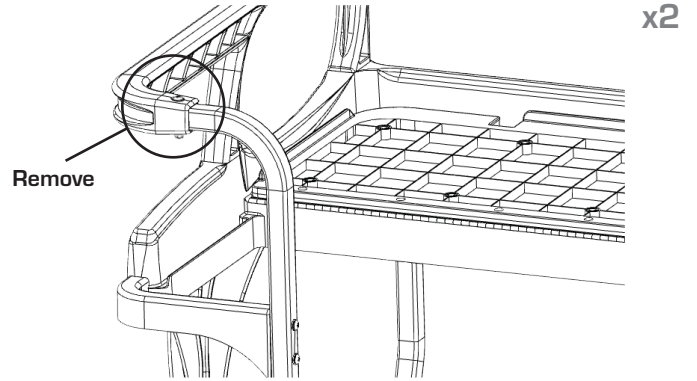
NOTE: The provided drain plug is designed to fit a 13/32" hole.



CUP HOLDERS

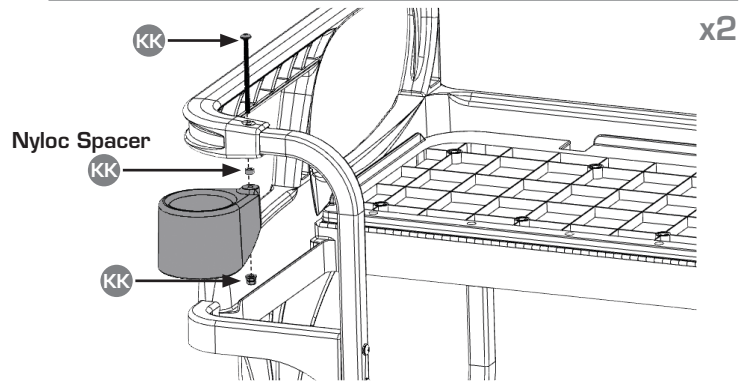
STEP 1 REMOVE STANDARD HARDWARE

Remove the hardware connecting the Arm Rest and Arm Rest Tube.



STEP 2 ATTACH CUP HOLDER

NOTE: Fully tighten Hardware.



HW BAG: MXEX CPHLD HW-V

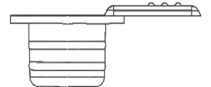
HARDWARE - SCALE 1:1

II x10



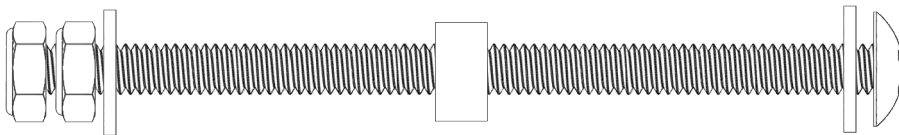
1/8" X 3/4" Flat Sheet Metal Screw

JJ x1



(Optional Drain Hole Plug)

KK x2



1/4" X 4-1/2" Truss Phillips Screw - 1/4" Flat Washer (x2) - 1/4" Nylon Spacer - 1/4" Nylloc Jam Nut (x2)