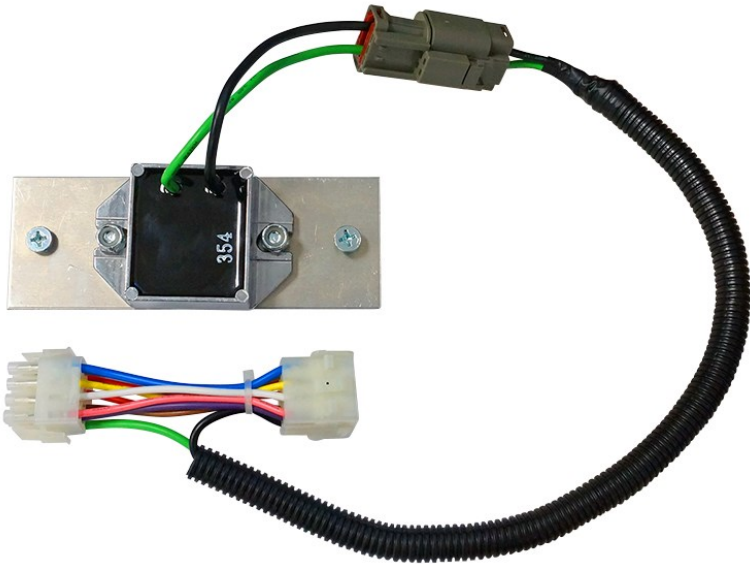




VOLT-0011

16-18V to 12V DC, 15 Amp Voltage Reducer Club Car Precedent 08.5+ with 8V Batteries Installation Instructions



Note: Electric Club Car Precedents manufactured after Jan. 1, 2008 can be configured with 8V or 12V batteries. A 16-18V voltage reducer is recommended for Precedents with an 8V battery configuration.

The following instructions show the batteries in factory configuration. Each configuration may vary. Test all batteries with a voltage meter prior to installation to determine the output voltage.

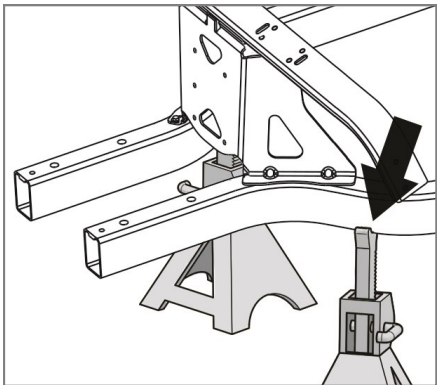
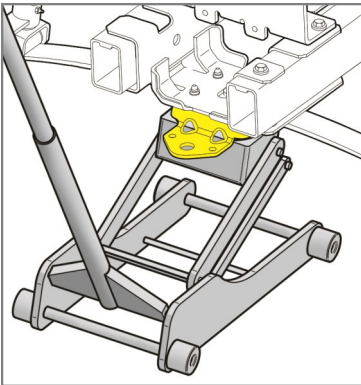
CAUTION: Please read through the instructions carefully. Always consider consulting a professional installer before installing any electrical components. Before starting this project, remove the system's positive and negative connections from the battery or battery pack. This product is designed for a 16-18V operation only. Operating this product at a higher voltage will void any and all warranties.

Installation Preparation

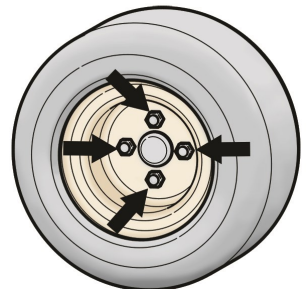
1. Turn key OFF.
2. Engage parking brake.
3. Place the TOW/RUN Switch in the TOW
4. Disconnect the system's positive and negative connections from the battery pack.

NOTE: See the OE battery configuration on Page 4. OE Configuration lists Battery #1 for the positive connection and Battery #6 for the negative connection. Configurations may vary.

5. Chock the back of the rear wheels.
6. Remove the hub cap (if any) on the passenger side front wheel. Loosen the (4) lug nuts but do not remove them.
7. Place a jack under the front leaf spring plate (yellow). Lift the cart high enough for the front wheels to come off the ground. Place (2) jack stands securely under the chassis and remove the jack. Shown without front bumper.

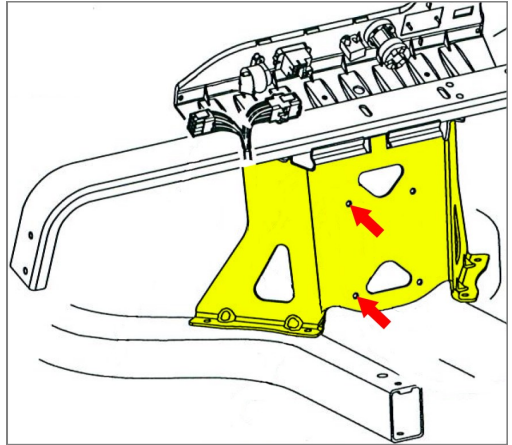
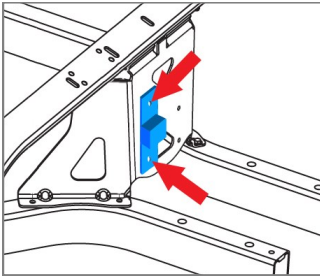


8. Fully remove the (4) lug nuts on the passenger side front wheel. Remove the wheel. Retain both wheel and lug nuts for reinstallation.



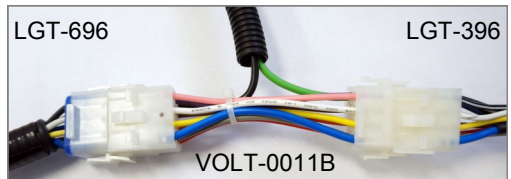
VOLT-0011 Installation

1. Disconnect the sub-harness (VOLT-0011B) from the reducer if connected.
2. Locate the center dash support area of the chassis, shown in yellow. The mounting holes are shown in red.
3. From beneath the vehicle, install the reducer with the Included Hardware on the center dash support.

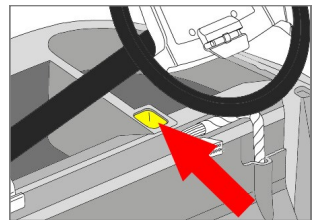


4. Behind the dash, connect the two 12-pin connectors on the sub-harness to the 12-pin connectors on the bucket harness (LGT-396) and the accessory harness (LGT-696).

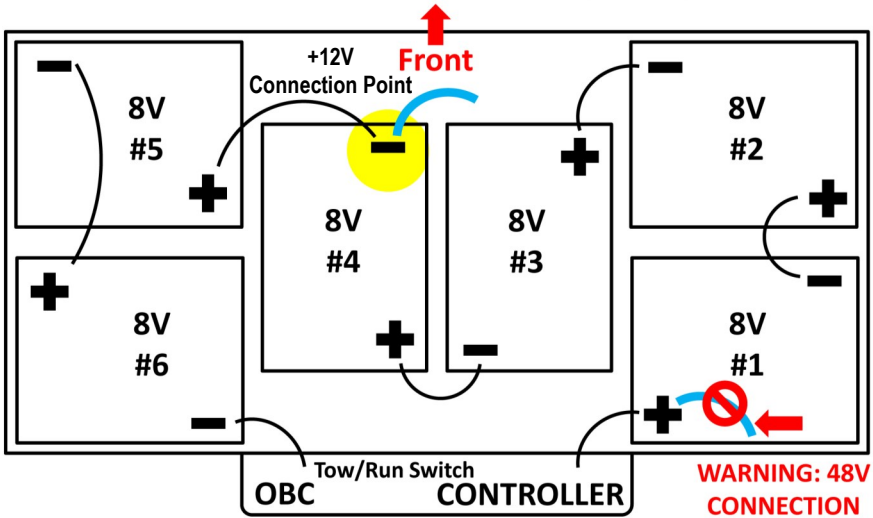
NOTE: LGT-396 and LGT-696 are sold separately or included in the RHOX Precedent light kit.



5. Route the gray connector on the sub-harness through the access hole (on the passenger side dash) to the underside of the cart.
6. Connect the sub-harness to the reducer.
7. Reinstall the passenger side front tire.
8. Raise the cart slightly with the jack and remove jack stands. Lower the cart safely to the ground.
9. Connect the voltage reducer wiring harness to the accessory's harness per manufacturer's instructions.



2008.5+ Club Car Precedent with 8 Volt Batteries



NOTE: The above shows the batteries in factory configuration. Each configuration may vary. Test all batteries with a voltage meter prior to installation to determine the output voltage. This product is designed for a 16-18V operation only. Operating this product at a higher voltage will void any and all warranties.

**RUGGED
STARTS
HERE**

This completes the installation of your RHOX Voltage Reducer. Please enjoy safely!

Scan QR code or use the link below to view the installation video.

<https://vimeo.com/user39935056>

