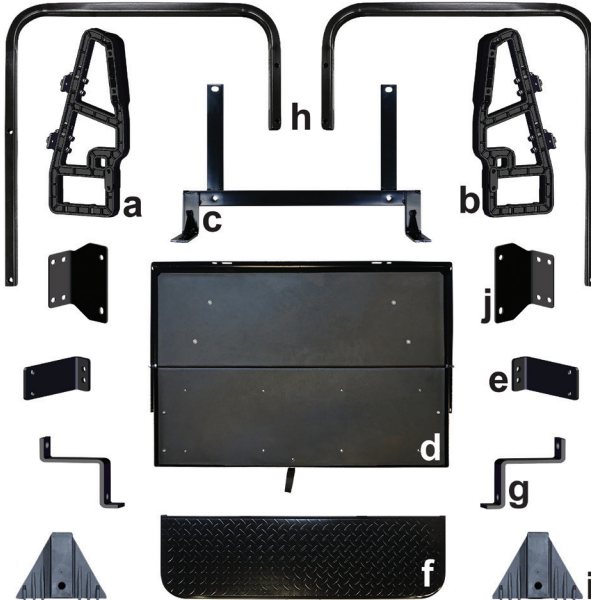




RHOBX

Rugged parts for your ride.

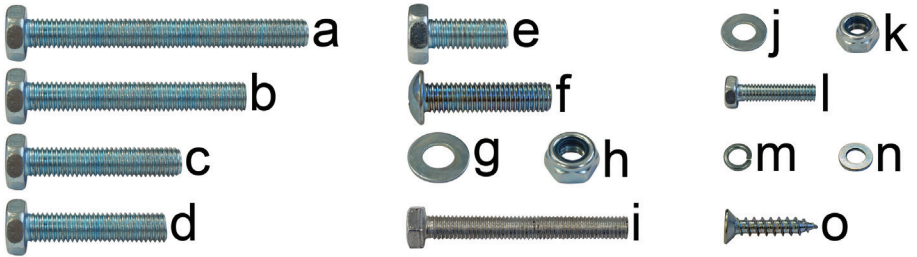
SEAT-771 Yamaha Drive2 RHOBX SS Seat Kit Installation Instructions



Contents of SEAT-771 Rear Seat Kit:

- a 1 ea. Front Seat Back Support, Driver Side
- b 1 ea. Front Seat Back Support, Passenger Side
- c 1 ea. Vertical Support Bracket
- d 1 ea. Seat Platform
- e 2 ea. Sub-Assembly Brackets, Seat Platform
- f 1 ea. Footplate
- g 2 ea. Footplate Mounting Brackets
- h 2 ea. Handrails
- i 2 ea. Footplate Support Brackets
- j 2 ea. Rear Seat Back Brackets
- k 2 ea. Bag of Hardware (Contents on Next Page)

Caution: Please read through the instructions carefully. Installer is responsible for damage if instructions are not followed properly. Look behind each drill or cut location BEFORE YOU DRILL OR CUT. Installer is responsible for damage (i.e. drilling/cutting into a wiring harness, battery, fuel tank etc.). Extra installers will be helpful in some parts of the installation. Refer to vehicle's maintenance manual for torquing specifications on reused hardware.



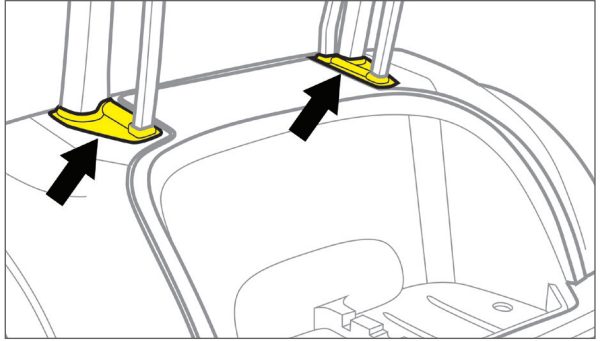
Contents of SEAT-771 Hardware Kit		Bag #1	#2	#3	#4	#5
a	M10-1.5 x 70 Hex Head Bolts				2	
b	M10-1.5 x 45 Hex Head Bolts			2		
c	M10-1.5 x 35 Hex Head Bolts		2			
d	M10-1.5 x 25 Hex Head Bolts			4		
e	M10-1.5 x 40 Phillips Head Truss Bolts				4	
f	M10 Flat Washers		4	12	8	
g	M10-1.5 Nylock Nuts		2	6	6	
h	M8-1.25 x 65 Hex Head Bolts	4				
i	M8-1.25 x 55 Hex Head Bolts		4			
j	M8 Flat Washers	8	8			
k	M8 Nylock Nuts	4	4			
l	M6-1.0 x 50 Hex Head Bolts	2				
m	M6-1.0 x 25 Hex Head Bolts					4
n	M6 Fender Washers	2				
o	M6 Lock Washers					4
p	M6 Flat Washers					4
q	#10 x 1.25" Wood Screws					8

Tools Needed for Installation

- Sockets and Open Ended Wrenches (10mm, 12mm, 1/2", 13mm, 5/8", 17mm)
- Allen Wrenches (4mm, 5mm)
- Phillips Screwdriver
- Rubber Mallet (Optional)

Installation Preparation

1. Engage parking brake.
2. Turn key OFF.
3. Electric Carts Only: Place Tow/Run Switch in Tow.
4. Remove the side panel trim shown in yellow.

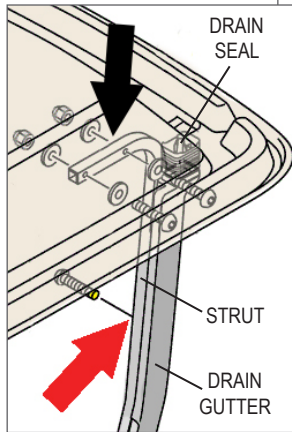


5. Remove top and drain seals (black arrows).

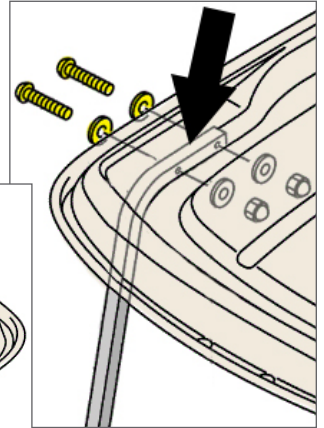
NOTE: If reinstalling the top, keep the top attached to the front struts and prop up the rear of the top using a broom handle or similar tool. Retain hardware.

6. Remove drain gutters (red arrow). Retain hardware.

NOTE: There are (2) bolts per drain gutter.

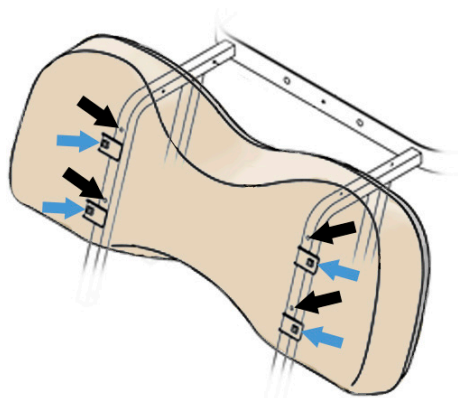


Rear Strut (Driver Side)

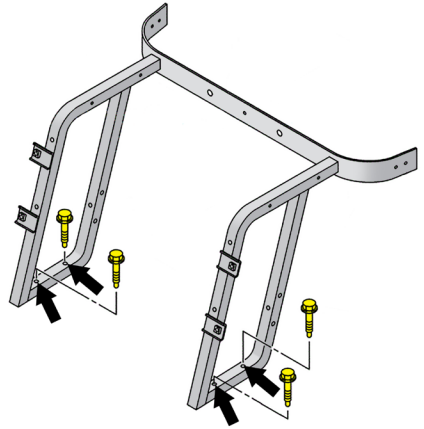


Front Strut
(Passenger Side)

7. Remove the front seat back cushion (black arrows). Retain hardware.
8. Remove rear struts (blue arrows). Retain hardware.



9. Remove the seat back support and the bag attachment assembly. Retain hardware.



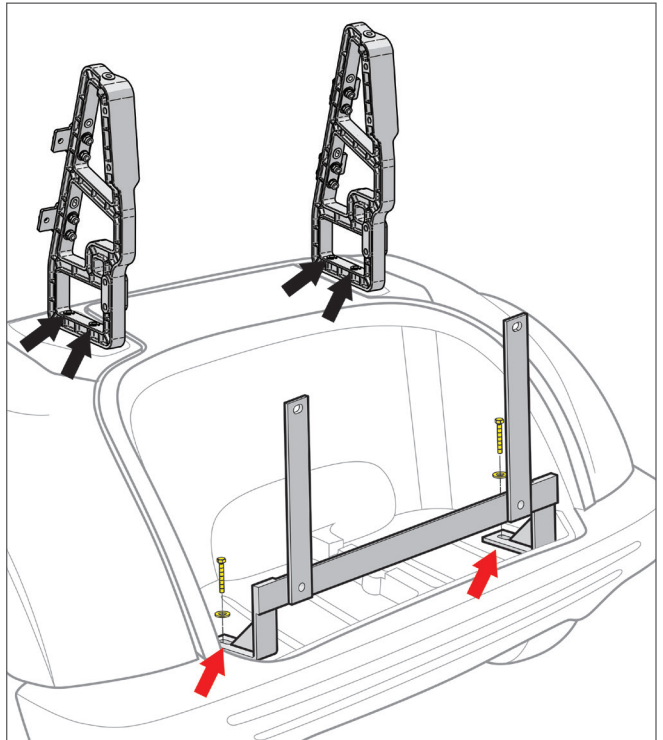
Rear Seat Kit Installation

1. Install the new front seat back support brackets where the original bracket was installed. Mount using the Original Hardware (black arrows).

NOTE: The driver and passenger side brackets are different. The tabs on the brackets will face the outside of the cart.

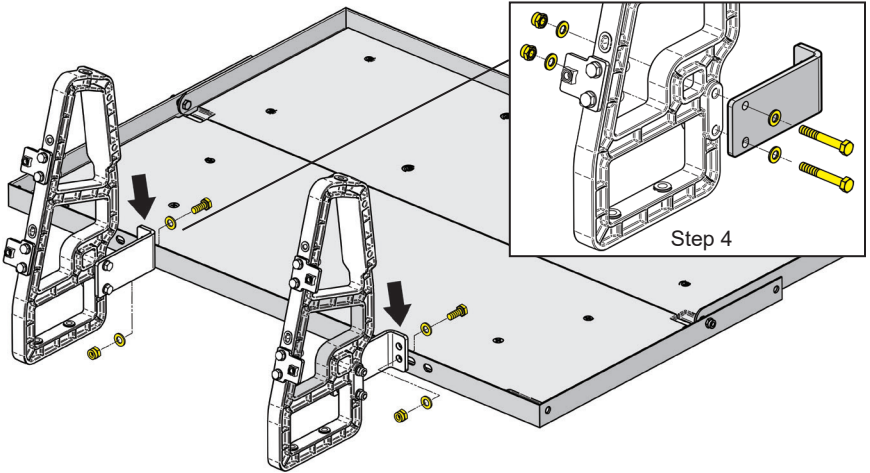
2. Remove the (2) bolts in the bagwell area and discard.
3. Loosely fasten the vertical support bracket to the bagwell area using (2) M6 x 50 Hex Head Bolts and (2) Fender Washers (red arrows, **Bag #1**).

4. Install the seat platform sub-assembly brackets to the seat back brackets using (4) M8 x 55 Hex Head Bolts, (8) Flat Washers and (4) Nylock Nuts (**Bag #2**, page 5).

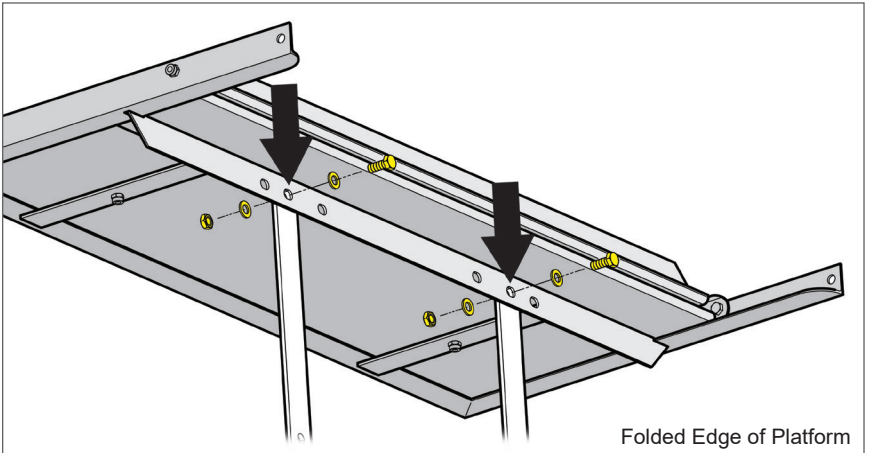


5. Loosely install the seat platform to the seat platform sub-assembly brackets using (2) M10 x 25 Hex Head Bolts, (4) Flat Washers and (2) Nylock Nuts (**Bag #3**).

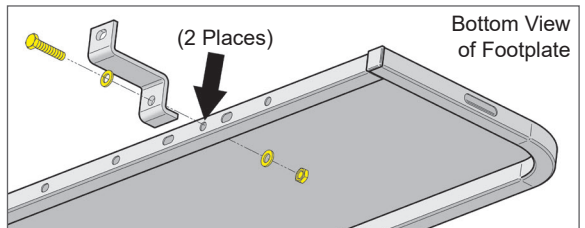
NOTE: Protect the rear body from scratches with a thick blanket or clean piece of cardboard. An extra installer is recommended on this step.



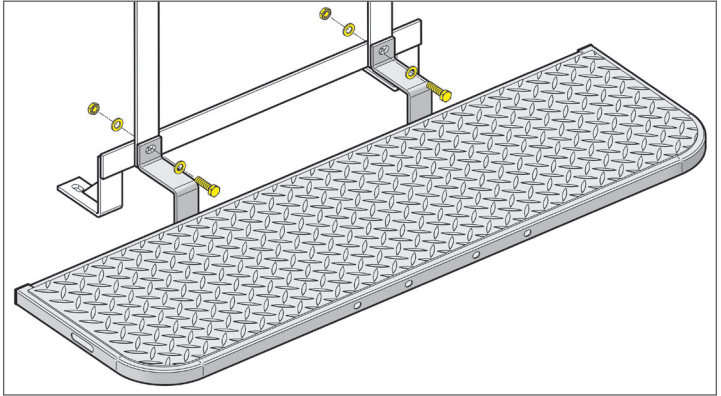
6. With the platform folded, loosely install the seat platform to the vertical support bracket using (2) M10 x 25 Hex Head Bolts, (4) Flat Washers and (2) Nylock Nuts (**Bag #3**).



7. Install the footplate mounting brackets to the holes on the footplate using (2) M10 x 45 Hex Head Bolts, (4) Flat Washers and (2) Nylock Nuts (**Bag #3**).



8. Loosely fasten the footplate sub-assembly to the vertical support bracket using (2) M10 x 35 Hex Head Bolts, (4) Flat Washers and (2) Nylock Nuts (**Bag #2**).



9. Loosely fasten the upper portion of a handrail to the seat platform (blue arrows) using (2) M10 x 40 Phillips Head Truss Bolts, (2) Flat Washers and (2) Nylock Nuts (**Bag #4**).

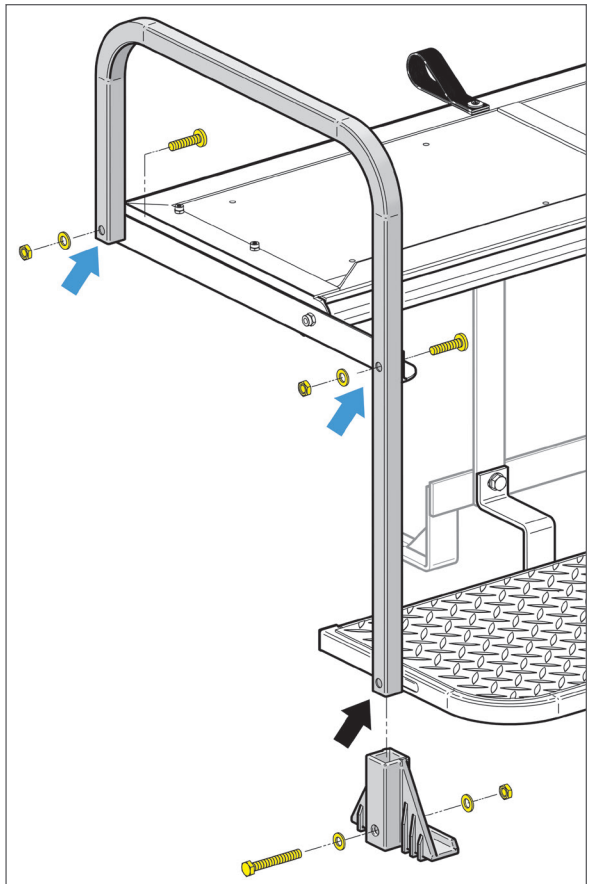
10. Slide a footplate support bracket over the long end of a handrail until the holes align (black arrow). The bracket will cradle the footplate. Loosely fasten the bracket and handrail to the footplate using (1) M10 x 70 Hex Head Bolt, (2) Flat Washers and (1) Nylock Nut (**Bag #4**).

11. Repeat Steps 9 and 10 for the opposite handrail.

12. Tighten all hardware.

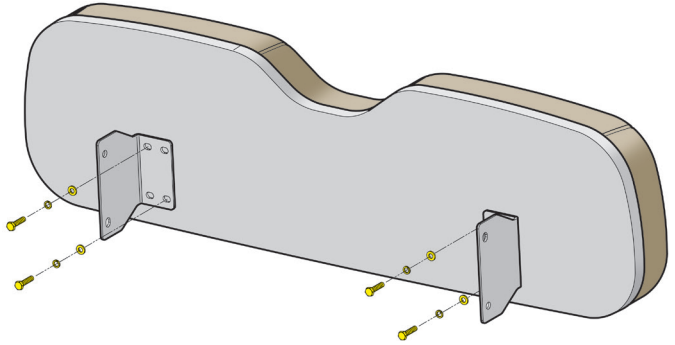
13. Install the front seat back cushion using the Original Hardware (red arrows, page 7). Hand tighten.

NOTE: Loosen the seat back supports if the holes do not align.



14. Install the rear seat back brackets to the seat back using (4) M6 x 25 Hex Head Bolts, (4) Lock Washers and (4) Flat Washers (**Bag #5**). Hand tighten.

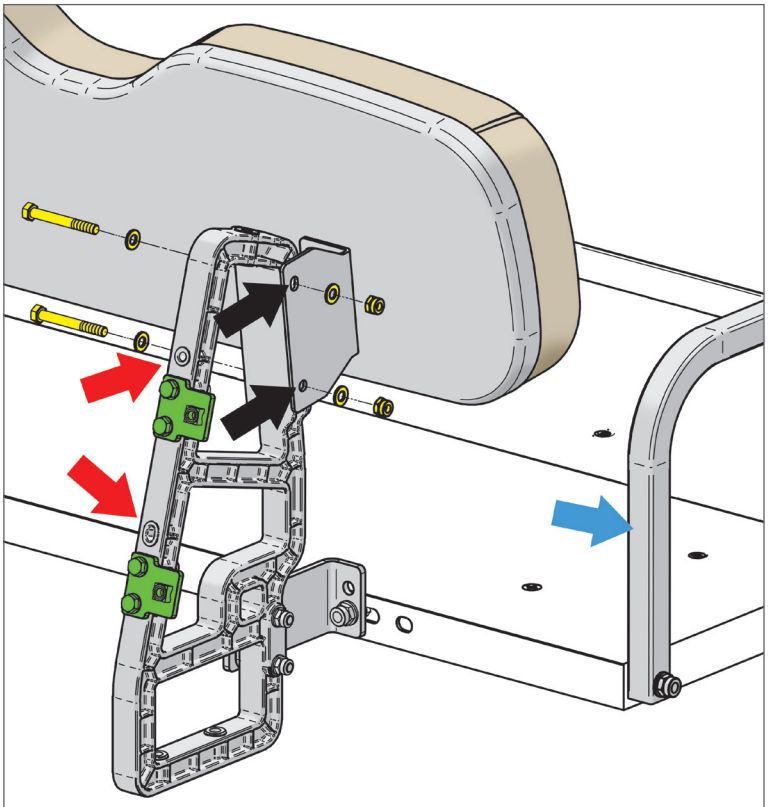
15. Install the rear seat back sub-assembly to the seat back support brackets (black arrows) using (4) M8 x 65 Hex Head Bolts, (8) Flat Washers and (4) Nylock Nuts (**Bag #1**).



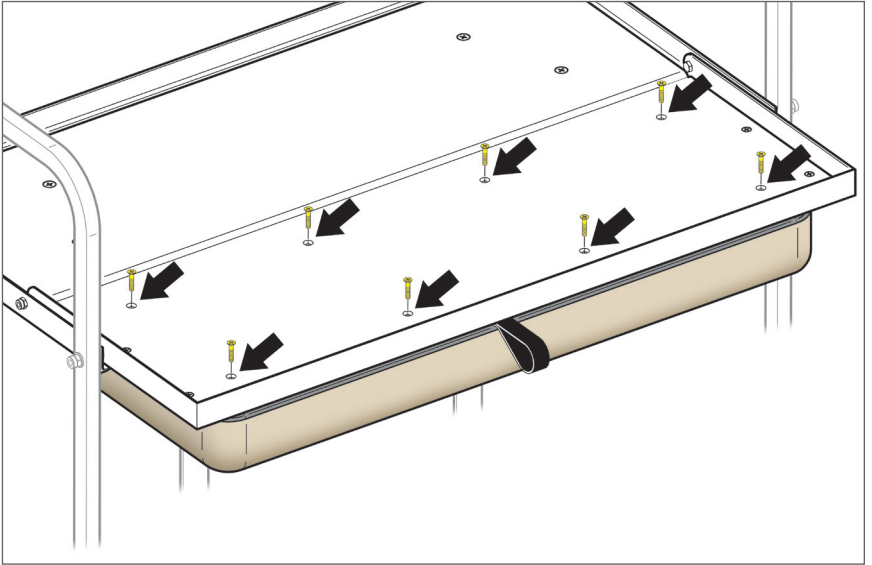
16. Carts with OE Top: If reinstalling the OE rear struts, drain gutters and drain seals, install them to the seat back supports using the Original Hardware (shown in green).

Carts with Extended Tops: If installing struts for an extended top, install them to the handrails (blue arrow). Drilling required.

NOTE: RHOX 88" Tops require TOP-0108 rear struts.



17. Install the top using the Original Hardware (if applicable).
18. Align the seat bottom cushion with the holes on the platform. Fasten the seat bottom cushion to the platform using (8) #10 x 1.25" Wood Screws (**Bag #5**). Hand tighten.



19. Tighten all hardware.

**RUGGED
STARTS
HERE**

This completes the installation of your
RHOX 700 Series SS Rear Seat Kit. Please enjoy safely!

Scan QR code or use the link below to
view the installation video.
<https://www.youtube.com/channel/UCuhw7pbimukg3DpDcZrb9Bg>

