



SEAT-521 / SEAT-525

Club Car DS New Style (2000.5+)

RHOX 500 Series Rear Seat Kit

Installation Instructions



Contents of SEAT-521 / SEAT-525 Rear Seat Kit:

- a (1 ea.) Front Seat Back Support, Driver Side
- b (1 ea.) Front Seat Back Support, Passenger Side
- c (1 ea.) Replacement Rear Strut for OE Top, Driver Side
- d (1 ea.) Replacement Rear Strut for OE Top, Passenger Side
- e (1 ea.) Vertical Support Bracket
- f (1 ea.) Arm Rest, Passenger Side
- g (1 ea.) Arm Rest, Driver Side
- h (1 ea.) Platform
- i (1 ea.) Footplate
- j (1 ea.) Safety Grab Bar
- k (1 ea.) Seat Bottom Handle
- l (1 ea.) Cushion Set (Not Shown)
- l (1 ea.) Bag of Hardware (Contents on Next Page)

Caution: Please read through the instructions carefully. Installer is responsible for damage if instructions are not followed properly. Look behind each drill or cut location BEFORE YOU DRILL OR CUT. Installer is responsible for damage (i.e. drilling/cutting into a wiring harness, battery, fuel tank etc.). Extra installers will be helpful in some parts of the installation. Refer to vehicle's maintenance manual for torquing specifications on reused hardware.



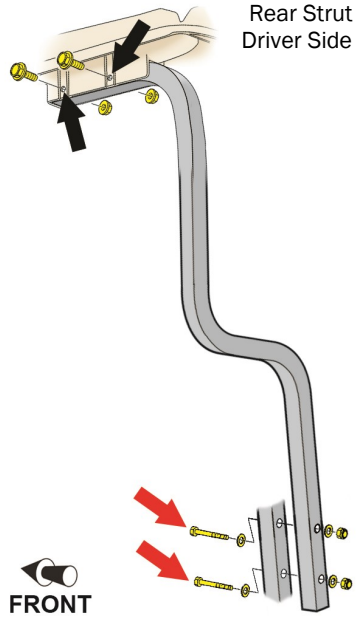
Contents of SEAT-521 / SEAT-525 Hardware Kit		QTY
a	M8-1.25 x 130 Shoulder Hex Head Bolts	2
b	M8-1.25 x 55 Hex Head Bolts	4
c	M8-1.25 x 45 Hex Head Bolts	4
d	M8-1.25 x 35 Hex Head Bolts	2
e	M8 Flat Washers	24
f	M8-1.25 Nylock Nuts	12
g	M6-1.0 x 70 Hex Head Bolts	2
h	M6-1.0 x 45 Hex Head Bolts	2
i	M6-1.0 x 35 Hex Head Bolts	2
j	M6-1.0 x 30 Hex Head Bolts	6
k	M6 Flat Washers	14
l	M6 Lock Washers	4
m	M6-1.0 Nylock Nuts	2
n	M6-1.0 Square Nuts	4
o	#10 x 3/4" Flat Head Sheet Metal Screws	2
p	5/16" Ø, 2-5/8" Useable Length Clevis Pins	4
q	Hairpin Cotter Pins (3/32" wire Ø, 1-3/4" OAL)	4
r	Weather Seal for Seat Bottom Cushion (not shown)	1

Tools Needed For Installation

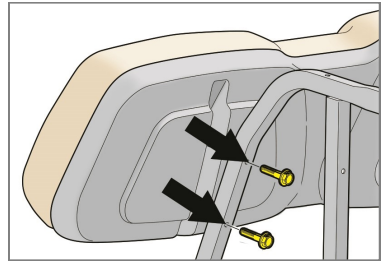
- Sockets and Open Ended Wrenches: 10mm, 12mm, 1/2", 7/16", 9/16"
- Phillips Screwdriver
- Rubber Mallet (Optional)

Installation Preparation

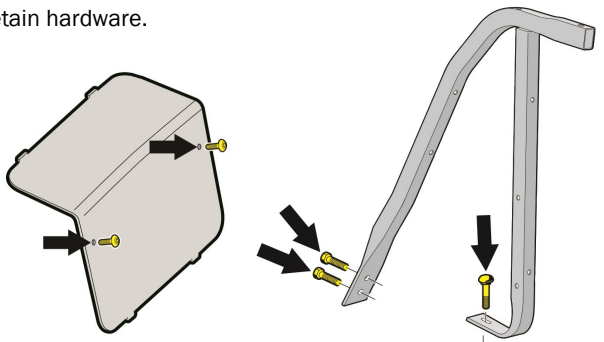
1. Engage parking brake.
2. Turn key OFF.
3. Electric Carts Only: Place Tow/Run Switch in Tow.
4. Remove top (black arrows).
5. Remove rear struts (red arrows).



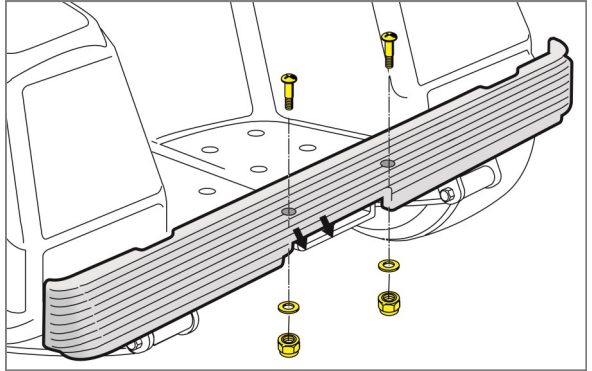
6. Remove the front seat back cushion by hand.
Retain hardware.



7. Remove access panel. Retain hardware.
8. Remove front seat back supports and sweater basket assembly. Retain hardware.



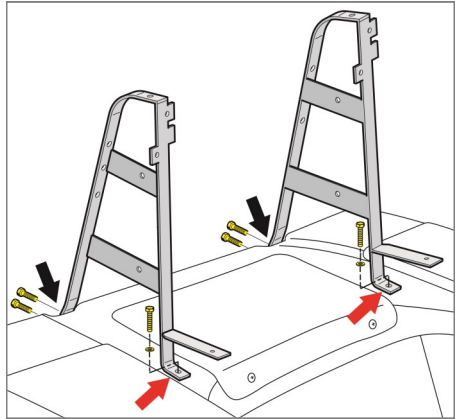
9. Remove the (2) center bolts, washers and nuts from the bumper. Discard.



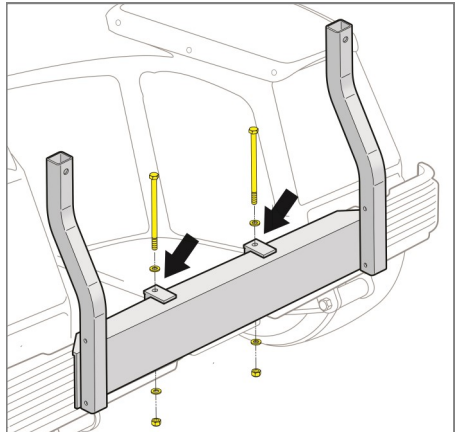
Rear Seat Kit Installation

1. Install the new front seat back support brackets where the original brackets were installed using the Original Hardware (black arrows) for the front mounting holes and (2) M8 x 35 Hex Head Bolts, (4) Flat Washers and (2) Nylock Nuts (red arrows).

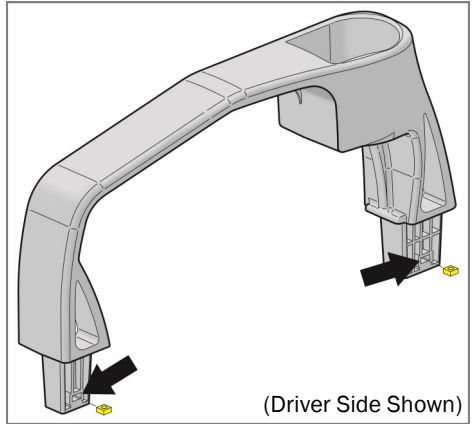
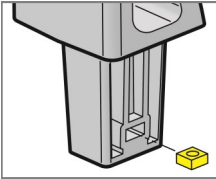
NOTE: The driver and passenger side brackets are different.



2. Loosely fasten the vertical support brackets to the bumper using (2) M8 x 130 Shoulder Hex Head Bolts, (4) Flat Washers and (2) Nylock Nuts.

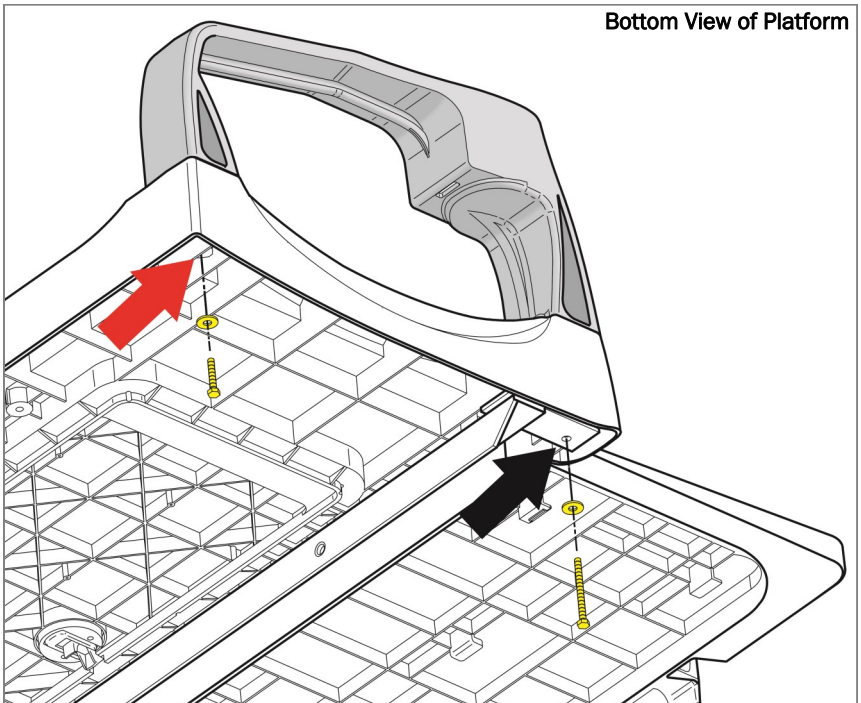


3. Insert the (4) M6 Square Nuts into the lower portions of the arm rests.

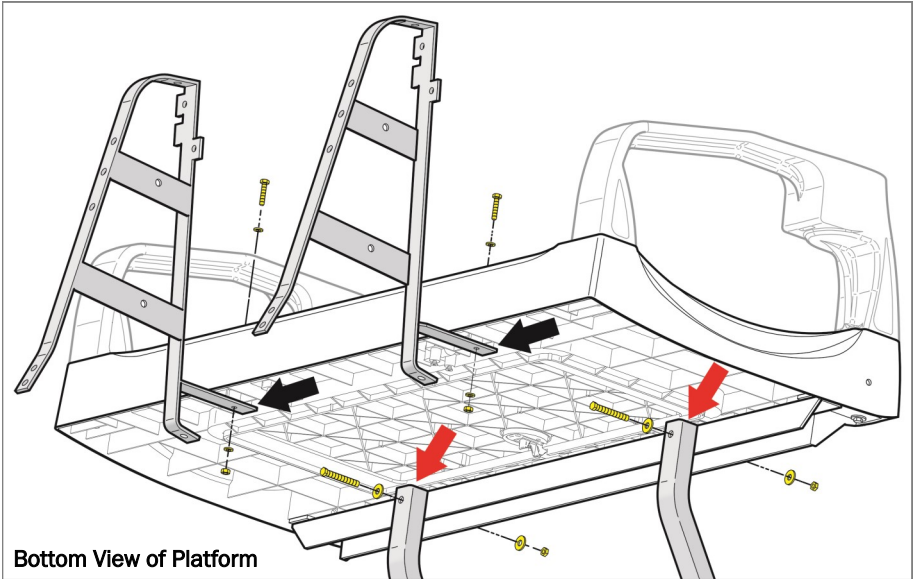


4. Place the arm rests with the square nuts inside of the seat platform as shown. Fasten the arm rests to the platform using (2) M6 x 70 Hex Head Bolts (black arrow), (2) M6 x 45 Hex Head Bolts (red arrow) and (4) M6 Flat Washers. **Fully tighten with hand tools but do not overtighten. Overtightening will cause damage.**

NOTE: Driver side and passenger side arm rests are different. If oriented correctly, the slots for the square nuts will face the outside of the platform.



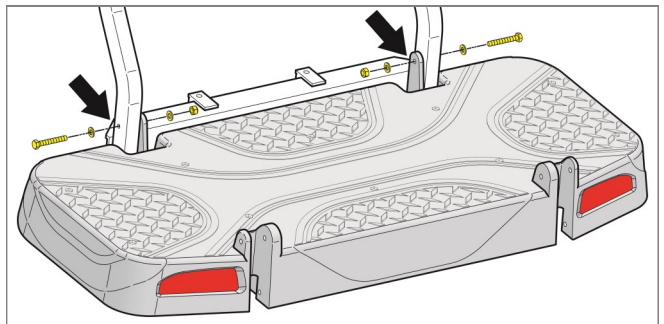
5. Place the platform sub-assembly on top of the seat back support brackets and vertical support bracket. A second installer will be helpful on this step.
6. Loosely fasten the platform to the seat back supports using (2) M6 x 30 Hex Head Bolts, (4) M6 Flat Washers and (2) M6 Nylock Nuts (black arrows).
7. Loosely fasten the platform to the vertical support bracket using (2) M8 x 55 Hex Head Bolts, (4) M8 Flat Washers and (2) M8 Nylock Nuts (red arrows).



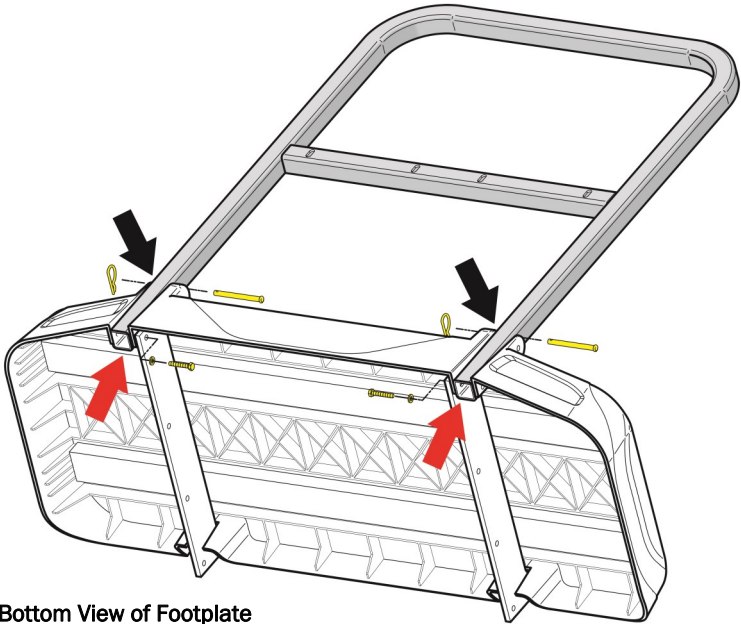
8. Loosely fasten the footplate to the vertical support bracket using (2) M8 x 55 Hex Head Bolts, (4) M8 Flat Washers and (2) M8 Nylock Nuts (upper mounting holes).
9. Secure the footplate to the bottom of the vertical support bracket using (2) Clevis Pins and (2) Cotter Pins (not shown).

STORAGE NOTE:

To save space once assembled, the clevis and cotter pins can be removed to fold the footplate assembly towards the cart.

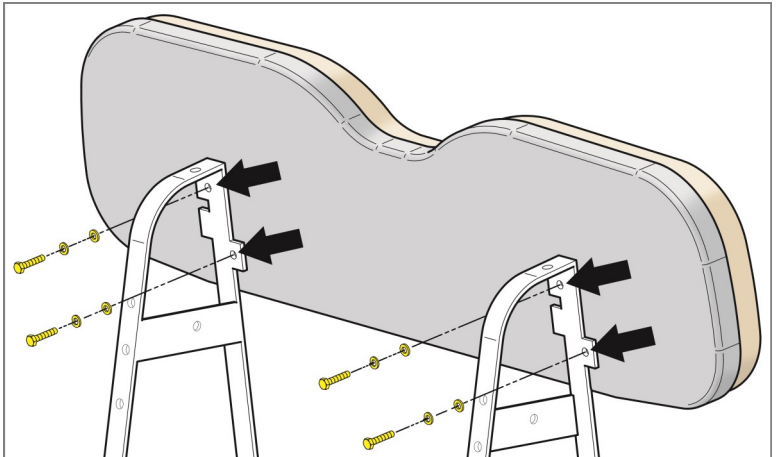


10. Secure the safety grab bar to the footplate using (2) Clevis Pins and (2) Cotter Pins on the upper mounting holes (black arrows) and (2) M6 x 35 Hex Head Bolts and (2) M6 Flat Washers on the lower mounting holes (red arrows).



Bottom View of Footplate

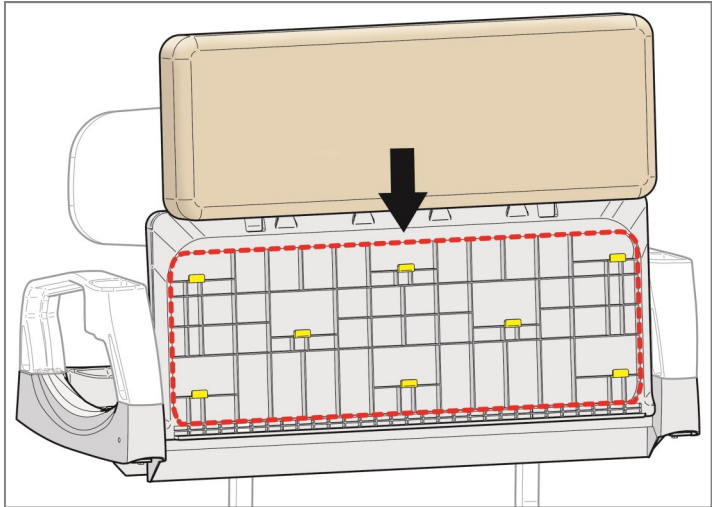
11. Install the front seat back to the new seat back brackets using the Original Hardware.
12. Loosely fasten the rear seat back cushion to the rear seat back brackets using (4) M6 x 30 Hex Head Bolts, (4) M6 Lock Washers and (4) M6 Flat Washers. Hand tighten.



13. If reinstalling the OE top and struts, install them to the seat back supports using (4) M8 x 45 Hex Head Bolts, (8) Flat Washers and (4) Nylock Nuts.

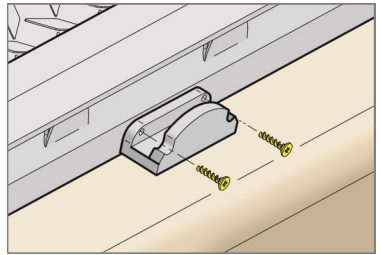
NOTE: RHOX 88" Tops require TOP-0521 rear struts. Install TOP-0521 rear struts in the same location as the OE struts.

14. Optional Weather Seal: Clean the surface of the platform indicated by the red dashed line. Adhere the weather seal to the platform following the red dashed line.
15. Align the recessed areas on the seat bottom cushion with the locking tabs on the seat platform (yellow). Slide the seat bottom onto the platform until it locks into place on the locking tabs.



16. Secure the seat bottom using (1) seat bottom handle and (2) No. 10 x 3/4" Flat Head Sheet Metal Screws. Hand tighten.

17. Tighten any hardware left loose in this installation.



This completes the installation of your RHOX 500 Series Rear Seat Kit. Please enjoy safely!

Scan QR code or use the link below to view the installation video.

<https://vimeo.com/user39935056>

