

EZGo TXT Utility Box INSTALLATION INSTRUCTIONS

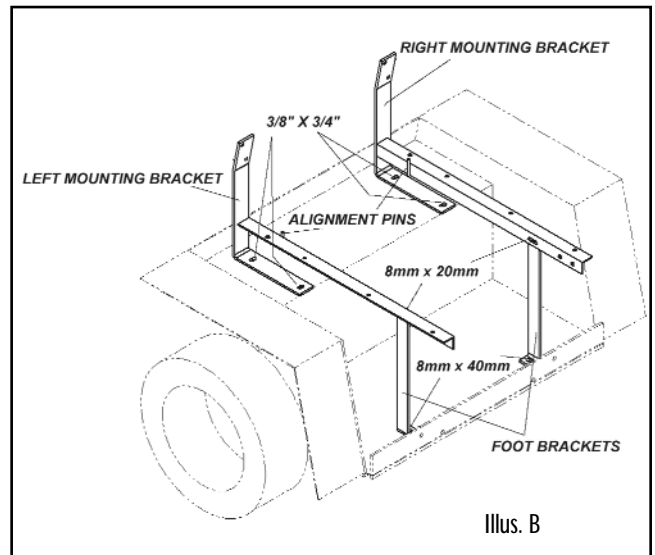
DO NOT REMOVE TOP STRUTS

(See Illustration A)



Illus. A

- 1) Remove seat back cushion from bag rack/sweater basket assembly.
- 2) Remove sweater basket bag rack frame assembly from car.
- 3) Install left and right mounting brackets using 3/8" x 3/4" bolts. Alignment pins should be on the inside of each bracket. (See Illus. B)
- 4) Install the smaller foot brackets into the slotted groove of the mounting brackets. Make sure the foot brackets are on the outside of the mounting brackets. Use 8mm x 20mm bolts. Drill out rivet in bag well using 1/4" bit. Attach foot bracket in bag well using 8mm x 40mm bolt.
- 5) Mount and center box. From underneath, mark six (6) holes on the box through the mounting brackets. Flip box over, drill 3/8" holes at each of the six marks. Use six low profile bolts to fasten box to mounting kit. Washers on underside of frame.
- 6) Mount top. Install angled brackets onto top struts using 8mm x 40mm bolts. Locate angle bracket on front of box adjusting top to desired height. Mark holes on box and drill two (2) 3/8" holes. Attach angle brackets to box using 8mm x 20mm bolts.
- 7) Install chain using 6mm x 25mm bolts through holes in box by tailgate.



Illus. B



Illus. C



Illus. D